

exhibition Lighting



2021



Ljusdesign

Sustainability

From an early design phase of a product, we have the environment in mind.

A cornerstone is that Ljusdesign actively design for high technical durability. We are so confident in our fixtures that we provide a 5-year warranty against material and manufacturing defects.

Quality and origin

Local cooperation is our strength. The majority of the luminaires in this brochure are assembled and quality controlled in our own factory in Sweden, made with parts from local suppliers in Sweden in general.

The remaining luminaires are manufactured in a facility in northern Sweden that specializes in small LED fixtures. Since the beginning of 2021, we are up and running with another production unit that mainly does track and profile manufacturing and customizations.

Delivery

We deliver stock items within 2-3 working days. Products that are manufactured based on orders, we strive to deliver within 3 weeks. For larger orders or in exceptional cases, delivery takes place in 4-6 weeks.



Table of contents

SPOTLIGHTS

Neo Fresnel	04
Neo Profile Narrow	08
Neo Profile Wide	12

Arty PAR	16
Arty Profile	20
Arty Zoom	24

Dinkey	28
--------	----

Gadget L	32
----------	----

Gizmo	36
Gizmo Zoom	40

Gimmick	44
Gizmo Downlight	48
Gekko Linear	50

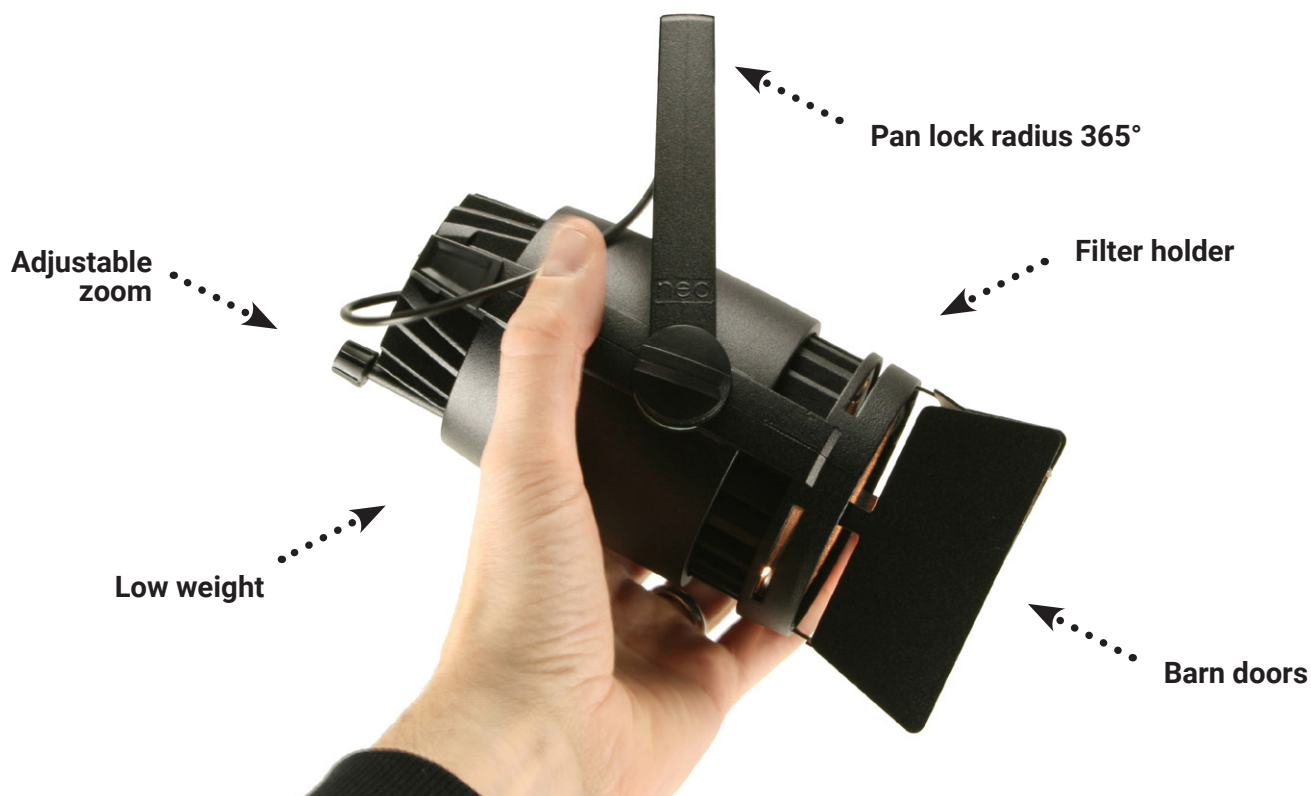
TRACK SYSTEMS

Pico Trac	52
Mini Trac	56
LED Profiles	58



neo Fresnel

A powerful zoom lens spotlight



Neo Fresnel is developed for use in museums and art galleries. Attachable barn doors and built-in filter holders makes your lighting professional. Stepless adjustable beam angle 16–64° with a focus knob on the back of the luminaire.

The benefits

- Great all-round spotlight for many lighting scenarios
- Perfect color rendering and consistency
- Comes fully featured and ready to use

Choose the variant that fits your needs.

	Analog	DMX	DALI	Casambi
Article	AL	AHX	AHD	AHC
Function	Integrated manual dimmer 0-100%	Wireless via Lumenradio	DALI controlled 1-100%	Bluetooth Low Energy protocol
3 Phase Tracks	Fits most known	Fits most known	Global Trac Pulse	Fits most known

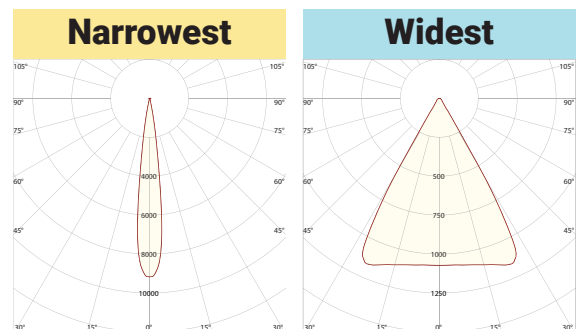
Neo Fresnel Specification

Material	Lamp housing made of die-cast magnesium Adapter housing made of PBT/PC 10 GF Aspheric fresnel lens made of polycarbonate
Finish	Grey (RAL 9006) Black (RAL 9005) White (RAL 9016)
System	3-phase circuit track
Protection class	IP20
Operating voltage	230V~ 50/60Hz
Power consumption	24W
Beam angle	Adjustable 16–64°
Color temperatures	2700K, 3000K, and 4000K
Swivels	>365°
Tilts	>90°
Weight	710 g (with adapter)
Features	Filter holder, phase selector, toolless pan and tilt lock
Always included	Barn doors, filter pack



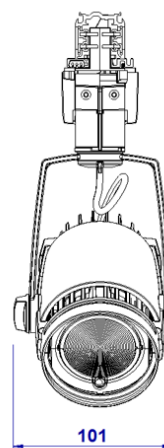
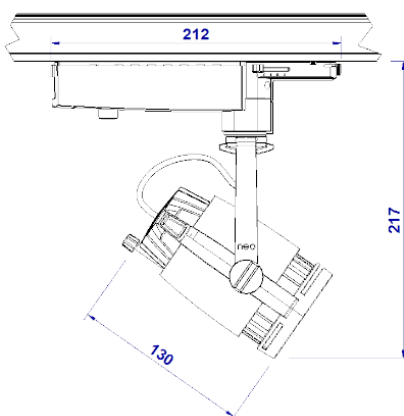
Light Data

LED Lumen	2000 lm
Luminaire Lumen	1000 lm
CRI	95 (Typical 98 CRI)
Red component R9	>80
MacAdam	2-step ellipse (SDCM 2)
TM30-18 Rf	94
TM30-18 Rg	102



	[m]	∅	Lux	∅	Lux
	1	0,2	9164	1,2	1072
	2	0,5	2291	2,3	268
	3	0,7	1018	3,5	119
		Cut off	27,6	Cut off	86,3
		Field angle	22,2	Field angle	66,9
		Beam angle	13,5	Beam angle	60

Light data from 3000K



SPOTLIGHTS
NEO FRESNEL



NEO FRESNEL ANALOG

Built-in local dimmer (0-100%)
Slim profile adapter

2700K	<input type="checkbox"/>	NEOF27C-AL-1	Neo Fresnel 230V/24W 2700K, Grey	CRI 95, SDCM2, 16-64°, 3-phase, dimmer
	<input type="checkbox"/>	NEOF27C-AL-2	Neo Fresnel 230V/24W 2700K, Black	CRI 95, SDCM2, 16-64°, 3-phase, dimmer
	<input type="checkbox"/>	NEOF27C-AL-3	Neo Fresnel 230V/24W 2700K, White	CRI 95, SDCM2, 16-64°, 3-phase, dimmer
3000K	<input type="checkbox"/>	NEOF30C-AL-1	Neo Fresnel 230V/24W 3000K, Grey	CRI 95, SDCM2, 16-64°, 3-phase, dimmer
	<input type="checkbox"/>	NEOF30C-AL-2	Neo Fresnel 230V/24W 3000K, Black	CRI 95, SDCM2, 16-64°, 3-phase, dimmer
	<input type="checkbox"/>	NEOF30C-AL-3	Neo Fresnel 230V/24W 3000K, White	CRI 95, SDCM2, 16-64°, 3-phase, dimmer
4000K	<input type="checkbox"/>	NEOF40C-AL-1	Neo Fresnel 230V/24W 4000K, Grey	CRI 95, SDCM2, 16-64°, 3-phase, dimmer
	<input type="checkbox"/>	NEOF40C-AL-2	Neo Fresnel 230V/24W 4000K, Black	CRI 95, SDCM2, 16-64°, 3-phase, dimmer
	<input type="checkbox"/>	NEOF40C-AL-3	Neo Fresnel 230V/24W 4000K, White	CRI 95, SDCM2, 16-64°, 3-phase, dimmer



NEO FRESNEL DMX

Wireless DMX via Lumenradio CRMX
Configuration via built-in display
Fits most known 3-phase tracks
Local dimmer (0-100%)



2700K	<input type="checkbox"/>	NEOF27C-AHX-1	Neo Fresnel 230V/24W DMX 2700K, Grey	CRI 95, SDCM2, 16-64°, 3-phase, wireless DMX
	<input type="checkbox"/>	NEOF27C-AHX-2	Neo Fresnel 230V/24W DMX 2700K, Black	CRI 95, SDCM2, 16-64°, 3-phase, wireless DMX
	<input type="checkbox"/>	NEOF27C-AHX-3	Neo Fresnel 230V/24W DMX 2700K, White	CRI 95, SDCM2, 16-64°, 3-phase, wireless DMX
3000K	<input type="checkbox"/>	NEOF30C-AHX-1	Neo Fresnel 230V/24W DMX 3000K, Grey	CRI 95, SDCM2, 16-64°, 3-phase, wireless DMX
	<input type="checkbox"/>	NEOF30C-AHX-2	Neo Fresnel 230V/24W DMX 3000K, Black	CRI 95, SDCM2, 16-64°, 3-phase, wireless DMX
	<input type="checkbox"/>	NEOF30C-AHX-3	Neo Fresnel 230V/24W DMX 3000K, White	CRI 95, SDCM2, 16-64°, 3-phase, wireless DMX
4000K	<input type="checkbox"/>	NEOF40C-AHX-1	Neo Fresnel 230V/24W DMX 4000K, Grey	CRI 95, SDCM2, 16-64°, 3-phase, wireless DMX
	<input type="checkbox"/>	NEOF40C-AHX-2	Neo Fresnel 230V/24W DMX 4000K, Black	CRI 95, SDCM2, 16-64°, 3-phase, wireless DMX
	<input type="checkbox"/>	NEOF40C-AHX-3	Neo Fresnel 230V/24W DMX 4000K, White	CRI 95, SDCM2, 16-64°, 3-phase, wireless DMX



NEO FRESNEL DALI

DALI (Dimming 1-100%).
Equipped with a DALI driver for Global Trac PULSE track



2700K	<input type="checkbox"/>	NEOF27C-AHD-1	Neo Fresnel 230V/24W DALI 2700K, Grey	CRI 95, SDCM2, 16-64°, 3-phase, PULSE DALI
	<input type="checkbox"/>	NEOF27C-AHD-2	Neo Fresnel 230V/24W DALI 2700K, Black	CRI 95, SDCM2, 16-64°, 3-phase, PULSE DALI
	<input type="checkbox"/>	NEOF27C-AHD-3	Neo Fresnel 230V/24W DALI 2700K, White	CRI 95, SDCM2, 16-64°, 3-phase, PULSE DALI
3000K	<input type="checkbox"/>	NEOF30C-AHD-1	Neo Fresnel 230V/24W DALI 3000K, Grey	CRI 95, SDCM2, 16-64°, 3-phase, PULSE DALI
	<input type="checkbox"/>	NEOF30C-AHD-2	Neo Fresnel 230V/24W DALI 3000K, Black	CRI 95, SDCM2, 16-64°, 3-phase, PULSE DALI
	<input type="checkbox"/>	NEOF30C-AHD-3	Neo Fresnel 230V/24W DALI 3000K, White	CRI 95, SDCM2, 16-64°, 3-phase, PULSE DALI
4000K	<input type="checkbox"/>	NEOF40C-AHD-1	Neo Fresnel 230V/24W DALI 4000K, Grey	CRI 95, SDCM2, 16-64°, 3-phase, PULSE DALI
	<input type="checkbox"/>	NEOF40C-AHD-2	Neo Fresnel 230V/24W DALI 4000K, Black	CRI 95, SDCM2, 16-64°, 3-phase, PULSE DALI
	<input type="checkbox"/>	NEOF40C-AHD-3	Neo Fresnel 230V/24W DALI 4000K, White	CRI 95, SDCM2, 16-64°, 3-phase, PULSE DALI



NEO FRESNEL CASAMBI

Fixture is configured using the Casambi app
Fits most known 3-phase tracks

2700K	<input checked="" type="checkbox"/>	NEOF27C-AHC-1	Neo Fresnel 230V/24W Casambi 2700K, Grey	CRI 95, SDCM2, 16-64°, 3-phase
	<input checked="" type="checkbox"/>	NEOF27C-AHC-2	Neo Fresnel 230V/24W Casambi 2700K, Black	CRI 95, SDCM2, 16-64°, 3-phase
	<input type="checkbox"/>	NEOF27C-AHC-3	Neo Fresnel 230V/24W Casambi 2700K, White	CRI 95, SDCM2, 16-64°, 3-phase
3000K	<input checked="" type="checkbox"/>	NEOF30C-AHC-1	Neo Fresnel 230V/24W Casambi 3000K, Grey	CRI 95, SDCM2, 16-64°, 3-phase
	<input checked="" type="checkbox"/>	NEOF30C-AHC-2	Neo Fresnel 230V/24W Casambi 3000K, Black	CRI 95, SDCM2, 16-64°, 3-phase
	<input type="checkbox"/>	NEOF30C-AHC-3	Neo Fresnel 230V/24W Casambi 3000K, White	CRI 95, SDCM2, 16-64°, 3-phase
4000K	<input checked="" type="checkbox"/>	NEOF40C-AHC-1	Neo Fresnel 230V/24W Casambi 4000K, Grey	CRI 95, SDCM2, 16-64°, 3-phase
	<input checked="" type="checkbox"/>	NEOF40C-AHC-2	Neo Fresnel 230V/24W Casambi 4000K, Black	CRI 95, SDCM2, 16-64°, 3-phase
	<input type="checkbox"/>	NEOF40C-AHC-3	Neo Fresnel 230V/24W Casambi 4000K, White	CRI 95, SDCM2, 16-64°, 3-phase



NEO FRESNEL CC SOLO

No driver / adapter included
Operated by external LED driver, max 600 mA / 22W, Vf = 36V

2700K	<input checked="" type="checkbox"/>	NEOF27C-CCS-1	Neo Fresnel CC/600mA Solo 2700K, Grey	Vf=36V, 600mA, CRI 95, SDCM2, 16-64°, 1m cable
	<input checked="" type="checkbox"/>	NEOF27C-CCS-2	Neo Fresnel CC/600mA Solo 2700K, Black	Vf=36V, 600mA, CRI 95, SDCM2, 16-64°, 1m cable
	<input type="checkbox"/>	NEOF27C-CCS-3	Neo Fresnel CC/600mA Solo 2700K, White	Vf=36V, 600mA, CRI 95, SDCM2, 16-64°, 1m cable
3000K	<input checked="" type="checkbox"/>	NEOF30C-CCS-1	Neo Fresnel CC/600mA Solo 3000K, Grey	Vf=36V, 600mA, CRI 95, SDCM2, 16-64°, 1m cable
	<input checked="" type="checkbox"/>	NEOF30C-CCS-2	Neo Fresnel CC/600mA Solo 3000K, Black	Vf=36V, 600mA, CRI 95, SDCM2, 16-64°, 1m cable
	<input type="checkbox"/>	NEOF30C-CCS-3	Neo Fresnel CC/600mA Solo 3000K, White	Vf=36V, 600mA, CRI 95, SDCM2, 16-64°, 1m cable
4000K	<input checked="" type="checkbox"/>	NEOF40C-CCS-1	Neo Fresnel CC/600mA Solo 4000K, Grey	Vf=36V, 600mA, CRI 95, SDCM2, 16-64°, 1m cable
	<input checked="" type="checkbox"/>	NEOF40C-CCS-2	Neo Fresnel CC/600mA Solo 4000K, Black	Vf=36V, 600mA, CRI 95, SDCM2, 16-64°, 1m cable
	<input type="checkbox"/>	NEOF40C-CCS-3	Neo Fresnel CC/600mA Solo 4000K, White	Vf=36V, 600mA, CRI 95, SDCM2, 16-64°, 1m cable

neo Profile **Narrow**

A bright contour spotlight with
advanced zoom optics



Neo Profile Narrow is developed for use in museums and art galleries. It has two sliding lenses to adjust the size and focus of the light beam. Built-in beam shaping shutters provides excellent control.

The benefits

- Excellent contour spotlight with very sharp edges
- Perfect color rendering and color consistency
- Shape the light with great accuracy

Choose the variant that fits your needs.

	Analog	DMX	DALI	Casambi
Article	AL	AHX	AHD	AHC
Function	Integrated manual dimmer 0-100%	Wireless DMX via Lumenradio	DALI controlled 1-100%	Bluetooth Low Energy protocol
3 Phase Tracks	Fits most known	Fits most known	Global Trac Pulse	Fits most known

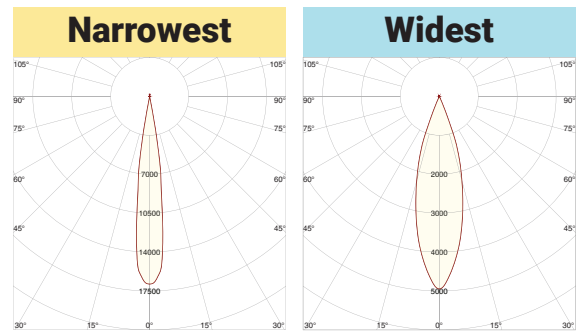
Neo Profile Narrow Specification

Material	Lamp housing made of die-cast magnesium Adapter housing made of PBT/PC 10 GF Anti-reflective zoom lenses made of glass
Finish	Grey (RAL 9006) Black (RAL 9005) White (RAL 9016)
System	3-phase circuit track
Protection class	IP20
Operating voltage	230V~ 50/60Hz
Power consumption	24W
Beam angle	Adjustable 14–27°
Color temperatures	2700K, 3000K, 4000K
Swivels	>365°
Tilts	>90°
Gobo	E-size (37,5mm)
Weight	1080 g (with adapter)
Features	Filter holder, phase selector, toolless pan and tilt lock
Optional accessories	Gobo holder, Gobo patterns
Always included	Filter pack



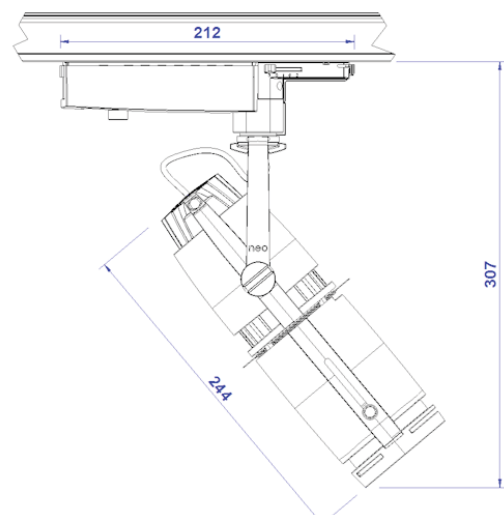
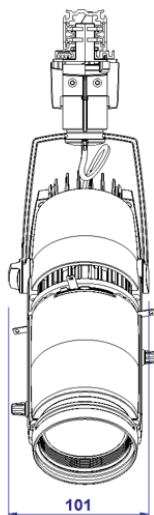
Light Data

LED Lumen	2000 lm
Luminaire Lumen	1000 lm
CRI	95 (Typical 98 CRI)
Red component R9	>80
MacAdam	2-step ellipse (SDCM 2)
TM30-18 Rf	94
TM30-18 Rg	101



	[m]	∅	Lux	∅	Lux
	1	0,3	16806	0,5	4905
	2	0,5	4201	1	1226
	3	0,8	1050	1,5	545
		Cut off	22,7	Cut off	48,3
		Field angle	21,4	Field angle	44,3
		Beam angle	14,3	Beam angle	28,1

Light data from 3000K



SPOTLIGHTS
NEO PROFILE NARROW



NEO PROFILE NARROW ANALOG

Built-in local dimmer (0-100%)
Slim profile adapter

2700K	<input type="checkbox"/>	NEOPN27C-AL-1	Neo Profile Narrow 230V/24W 2700K, Grey	CRI 95, SDCM2, 14-27°, 3-phase, dimmer
	<input type="checkbox"/>	NEOPN27C-AL-2	Neo Profile Narrow 230V/24W 2700K, Black	CRI 95, SDCM2, 14-27°, 3-phase, dimmer
	<input type="checkbox"/>	NEOPN27C-AL-3	Neo Profile Narrow 230V/24W 2700K, White	CRI 95, SDCM2, 14-27°, 3-phase, dimmer
3000K	<input type="checkbox"/>	NEOPN30C-AL-1	Neo Profile Narrow 230V/24W 3000K, Grey	CRI 95, SDCM2, 14-27°, 3-phase, dimmer
	<input type="checkbox"/>	NEOPN30C-AL-2	Neo Profile Narrow 230V/24W 3000K, Black	CRI 95, SDCM2, 14-27°, 3-phase, dimmer
	<input type="checkbox"/>	NEOPN30C-AL-3	Neo Profile Narrow 230V/24W 3000K, White	CRI 95, SDCM2, 14-27°, 3-phase, dimmer
4000K	<input type="checkbox"/>	NEOPN40C-AL-1	Neo Profile Narrow 230V/24W 4000K, Grey	CRI 95, SDCM2, 14-27°, 3-phase, dimmer
	<input type="checkbox"/>	NEOPN40C-AL-2	Neo Profile Narrow 230V/24W 4000K, Black	CRI 95, SDCM2, 14-27°, 3-phase, dimmer
	<input type="checkbox"/>	NEOPN40C-AL-3	Neo Profile Narrow 230V/24W 4000K, White	CRI 95, SDCM2, 14-27°, 3-phase, dimmer



NEO PROFILE NARROW DMX

Wireless DMX via Lumenradio CRMX
Configuration via built-in display
Fits most known 3-phase tracks
Local dimmer (0-100%)



2700K	<input type="checkbox"/>	NEOPN27C-AHX-1	Neo Profile Narrow 230V/24W DMX 2700K, Grey	CRI 95, SDCM2, 14-27°, 3-phase, wireless DMX
	<input type="checkbox"/>	NEOPN27C-AHX-2	Neo Profile Narrow 230V/24W DMX 2700K, Black	CRI 95, SDCM2, 14-27°, 3-phase, wireless DMX
	<input type="checkbox"/>	NEOPN27C-AHX-3	Neo Profile Narrow 230V/24W DMX 2700K, White	CRI 95, SDCM2, 14-27°, 3-phase, wireless DMX
3000K	<input type="checkbox"/>	NEOPN30C-AHX-1	Neo Profile Narrow 230V/24W DMX 3000K, Grey	CRI 95, SDCM2, 14-27°, 3-phase, wireless DMX
	<input type="checkbox"/>	NEOPN30C-AHX-2	Neo Profile Narrow 230V/24W DMX 3000K, Black	CRI 95, SDCM2, 14-27°, 3-phase, wireless DMX
	<input type="checkbox"/>	NEOPN30C-AHX-3	Neo Profile Narrow 230V/24W DMX 3000K, White	CRI 95, SDCM2, 14-27°, 3-phase, wireless DMX
4000K	<input type="checkbox"/>	NEOPN40C-AHX-1	Neo Profile Narrow 230V/24W DMX 4000K, Grey	CRI 95, SDCM2, 14-27°, 3-phase, wireless DMX
	<input type="checkbox"/>	NEOPN40C-AHX-2	Neo Profile Narrow 230V/24W DMX 4000K, Black	CRI 95, SDCM2, 14-27°, 3-phase, wireless DMX
	<input type="checkbox"/>	NEOPN40C-AHX-3	Neo Profile Narrow 230V/24W DMX 4000K, White	CRI 95, SDCM2, 14-27°, 3-phase, wireless DMX



NEO PROFILE NARROW DALI

DALI (Dimming 1-100%).
Equipped with a DALI driver for Global Trac PULSE track



2700K	<input type="checkbox"/>	NEOPN27C-AHD-1	Neo Profile Narrow 230V/24W DALI 2700K, Grey	CRI 95, SDCM2, 14-27°, 3-phase, PULSE DALI
	<input type="checkbox"/>	NEOPN27C-AHD-2	Neo Profile Narrow 230V/24W DALI 2700K, Black	CRI 95, SDCM2, 14-27°, 3-phase, PULSE DALI
	<input type="checkbox"/>	NEOPN27C-AHD-3	Neo Profile Narrow 230V/24W DALI 2700K, White	CRI 95, SDCM2, 14-27°, 3-phase, PULSE DALI
3000K	<input type="checkbox"/>	NEOPN30C-AHD-1	Neo Profile Narrow 230V/24W DALI 3000K, Grey	CRI 95, SDCM2, 14-27°, 3-phase, PULSE DALI
	<input type="checkbox"/>	NEOPN30C-AHD-2	Neo Profile Narrow 230V/24W DALI 3000K, Black	CRI 95, SDCM2, 14-27°, 3-phase, PULSE DALI
	<input type="checkbox"/>	NEOPN30C-AHD-3	Neo Profile Narrow 230V/24W DALI 3000K, White	CRI 95, SDCM2, 14-27°, 3-phase, PULSE DALI
4000K	<input type="checkbox"/>	NEOPN40C-AHD-1	Neo Profile Narrow 230V/24W DALI 4000K, Grey	CRI 95, SDCM2, 14-27°, 3-phase, PULSE DALI
	<input type="checkbox"/>	NEOPN40C-AHD-2	Neo Profile Narrow 230V/24W DALI 4000K, Black	CRI 95, SDCM2, 14-27°, 3-phase, PULSE DALI
	<input type="checkbox"/>	NEOPN40C-AHD-3	Neo Profile Narrow 230V/24W DALI 4000K, White	CRI 95, SDCM2, 14-27°, 3-phase, PULSE DALI



NEO PROFILE NARROW CASAMBI

Fixture is configured using the Casambi app
Fits most known 3-phase tracks

2700K	<input checked="" type="checkbox"/>	NEOPN27C-AHC-1	Neo Profile Narrow 230V/24W Casambi 2700K, Grey	CRI 95, SDCM2, 14-27°, 3-phase
	<input checked="" type="checkbox"/>	NEOPN27C-AHC-2	Neo Profile Narrow 230V/24W Casambi 2700K, Black	CRI 95, SDCM2, 14-27°, 3-phase
	<input type="checkbox"/>	NEOPN27C-AHC-3	Neo Profile Narrow 230V/24W Casambi 2700K, White	CRI 95, SDCM2, 14-27°, 3-phase
3000K	<input checked="" type="checkbox"/>	NEOPN30C-AHC-1	Neo Profile Narrow 230V/24W Casambi 3000K, Grey	CRI 95, SDCM2, 14-27°, 3-phase
	<input checked="" type="checkbox"/>	NEOPN30C-AHC-2	Neo Profile Narrow 230V/24W Casambi 3000K, Black	CRI 95, SDCM2, 14-27°, 3-phase
	<input type="checkbox"/>	NEOPN30C-AHC-3	Neo Profile Narrow 230V/24W Casambi 3000K, White	CRI 95, SDCM2, 14-27°, 3-phase
4000K	<input checked="" type="checkbox"/>	NEOPN40C-AHC-1	Neo Profile Narrow 230V/24W Casambi 4000K, Grey	CRI 95, SDCM2, 14-27°, 3-phase
	<input checked="" type="checkbox"/>	NEOPN40C-AHC-2	Neo Profile Narrow 230V/24W Casambi 4000K, Black	CRI 95, SDCM2, 14-27°, 3-phase
	<input type="checkbox"/>	NEOPN40C-AHC-3	Neo Profile Narrow 230V/24W Casambi 4000K, White	CRI 95, SDCM2, 14-27°, 3-phase



NEO PROFILE NARROW CC SOLO

No driver / adapter included
Operated by external LED driver, max 600 mA / 22W, Vf = 36V

2700K	<input checked="" type="checkbox"/>	NEOPN27C-CCS-1	Neo Profile Narrow CC/600mA Solo 2700K, Grey	Vf=36V, 600mA, CRI 95, SDCM2, 14-27°, 1m cable
	<input checked="" type="checkbox"/>	NEOPN27C-CCS-2	Neo Profile Narrow CC/600mA Solo 2700K, Black	Vf=36V, 600mA, CRI 95, SDCM2, 14-27°, 1m cable
	<input type="checkbox"/>	NEOPN27C-CCS-3	Neo Profile Narrow CC/600mA Solo 2700K, White	Vf=36V, 600mA, CRI 95, SDCM2, 14-27°, 1m cable
3000K	<input checked="" type="checkbox"/>	NEOPN30C-CCS-1	Neo Profile Narrow CC/600mA Solo 3000K, Grey	Vf=36V, 600mA, CRI 95, SDCM2, 14-27°, 1m cable
	<input checked="" type="checkbox"/>	NEOPN30C-CCS-2	Neo Profile Narrow CC/600mA Solo 3000K, Black	Vf=36V, 600mA, CRI 95, SDCM2, 14-27°, 1m cable
	<input type="checkbox"/>	NEOPN30C-CCS-3	Neo Profile Narrow CC/600mA Solo 3000K, White	Vf=36V, 600mA, CRI 95, SDCM2, 14-27°, 1m cable
4000K	<input checked="" type="checkbox"/>	NEOPN40C-CCS-1	Neo Profile Narrow CC/600mA Solo 4000K, Grey	Vf=36V, 600mA, CRI 95, SDCM2, 14-27°, 1m cable
	<input checked="" type="checkbox"/>	NEOPN40C-CCS-2	Neo Profile Narrow CC/600mA Solo 4000K, Black	Vf=36V, 600mA, CRI 95, SDCM2, 14-27°, 1m cable
	<input type="checkbox"/>	NEOPN40C-CCS-3	Neo Profile Narrow CC/600mA Solo 4000K, White	Vf=36V, 600mA, CRI 95, SDCM2, 14-27°, 1m cable

neo Profile

A profile with extra wide beam angle




The variable 20–45° beam angle is great for illuminating large objects, and also makes it ideal for tight spaces. Built-in shaping shutters provides excellent control.

The benefits

- Very sharp edges
- Perfect color rendering and color consistency
- Shape the light with great accuracy

Choose the variant that fits your needs.

	Analog	DMX	DALI	Casambi
Article	AL	AHX	AHD	AHC
Function	Integrated manual dimmer 0-100%	Wireless DMX via Lumenradio	DALI controlled 1-100%	Bluetooth Low Energy protocol
3 Phase Tracks	Fits most known	Fits most known	Global Trac Pulse	Fits most known

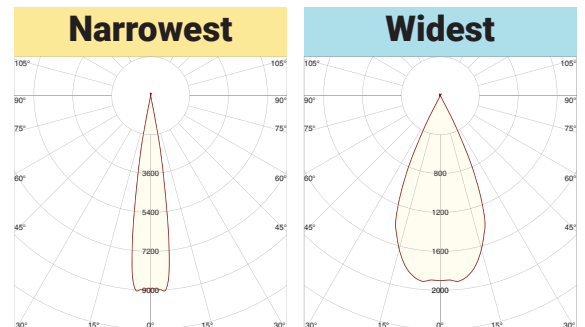
Neo Profile Wide Specification

Material	Lamp housing made of die-cast magnesium Adapter housing made of PBT/PC 10 GF Anti-reflective zoom lenses made of glass
Finish	Grey (RAL 9006) Black (RAL 9005) White (RAL 9016)
System	3-phase circuit track
Protection class	IP20
Operating voltage	230V~ 50/60Hz
Power consumption	24W
Beam angle	Adjustable 20–45°
Color temperatures	2700K, 3000K, 4000K
Swivels	>365°
Tilts	>90°
Gobo	E-size (37,5mm)
Weight	1080 g (with adapter)
Features	Filter holder, phase selector, toolless pan and tilt lock
Optional accessories	Gobo holder, Gobo patterns
Always included	Filter pack



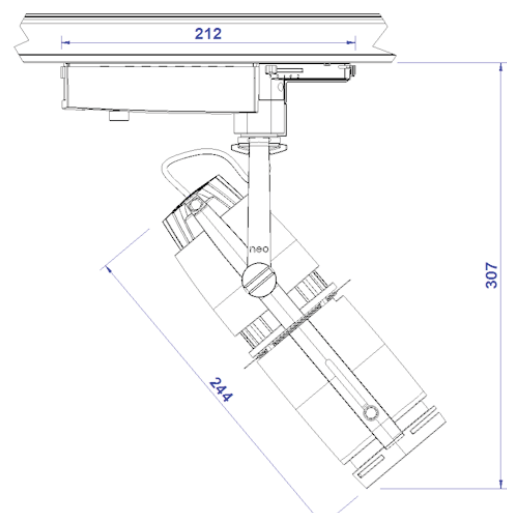
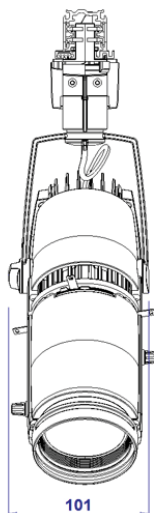
Light Data

LED Lumen	2000 lm
Luminaire Lumen	1000 lm
CRI	95 (Typical 98 CRI)
Red component R9	>80
MacAdam	2-step ellipse (SDCM 2)
TM30-18 Rf	94
TM30-18 Rg	100



[m]	Ø	Lux	Ø	Lux
1	0,3	8928	0,8	1899
2	0,6	2232	1,7	475
3	0,9	992	2,5	211
	Cut off	23,7	Cut off	57,6
	Field angle	22,7	Field angle	55,5
	Beam angle	17,2	Beam angle	45,8

Light data from 3000K



SPOTLIGHTS
NEO PROFILE WIDE



NEO PROFILE WIDE ANALOG

Built-in local dimmer (0-100%)
Slim profile adapter

2700K	<input type="checkbox"/>	NEOPW27C-AL-1	Neo Profile Wide 230V/24W 2700K, Grey	CRI 95, SDCM2, 20-45°, 3-phase, dimmer
	<input type="checkbox"/>	NEOPW27C-AL-2	Neo Profile Wide 230V/24W 2700K, Black	CRI 95, SDCM2, 20-45°, 3-phase, dimmer
	<input type="checkbox"/>	NEOPW27C-AL-3	Neo Profile Wide 230V/24W 2700K, White	CRI 95, SDCM2, 20-45°, 3-phase, dimmer
3000K	<input type="checkbox"/>	NEOPW30C-AL-1	Neo Profile Wide 230V/24W 3000K, Grey	CRI 95, SDCM2, 20-45°, 3-phase, dimmer
	<input type="checkbox"/>	NEOPW30C-AL-2	Neo Profile Wide 230V/24W 3000K, Black	CRI 95, SDCM2, 20-45°, 3-phase, dimmer
	<input type="checkbox"/>	NEOPW30C-AL-3	Neo Profile Wide 230V/24W 3000K, White	CRI 95, SDCM2, 20-45°, 3-phase, dimmer
4000K	<input type="checkbox"/>	NEOPW40C-AL-1	Neo Profile Wide 230V/24W 4000K, Grey	CRI 95, SDCM2, 20-45°, 3-phase, dimmer
	<input type="checkbox"/>	NEOPW40C-AL-2	Neo Profile Wide 230V/24W 4000K, Black	CRI 95, SDCM2, 20-45°, 3-phase, dimmer
	<input type="checkbox"/>	NEOPW40C-AL-3	Neo Profile Wide 230V/24W 4000K, White	CRI 95, SDCM2, 20-45°, 3-phase, dimmer



NEO PROFILE WIDE DMX

Wireless DMX via Lumenradio CRMX
Configuration via built-in display
Fits most known 3-phase tracks
Local dimmer (0-100%)



2700K	<input type="checkbox"/>	NEOPW27C-AHX-1	Neo Profile Wide 230V/24W DMX 2700K, Grey	CRI 95, SDCM2, 20-45°, 3-phase, wireless DMX
	<input type="checkbox"/>	NEOPW27C-AHX-2	Neo Profile Wide 230V/24W DMX 2700K, Black	CRI 95, SDCM2, 20-45°, 3-phase, wireless DMX
	<input type="checkbox"/>	NEOPW27C-AHX-3	Neo Profile Wide 230V/24W DMX 2700K, White	CRI 95, SDCM2, 20-45°, 3-phase, wireless DMX
3000K	<input type="checkbox"/>	NEOPW30C-AHX-1	Neo Profile Wide 230V/24W DMX 3000K, Grey	CRI 95, SDCM2, 20-45°, 3-phase, wireless DMX
	<input type="checkbox"/>	NEOPW30C-AHX-2	Neo Profile Wide 230V/24W DMX 3000K, Black	CRI 95, SDCM2, 20-45°, 3-phase, wireless DMX
	<input type="checkbox"/>	NEOPW30C-AHX-3	Neo Profile Wide 230V/24W DMX 3000K, White	CRI 95, SDCM2, 20-45°, 3-phase, wireless DMX
4000K	<input type="checkbox"/>	NEOPW40C-AHX-1	Neo Profile Wide 230V/24W DMX 4000K, Grey	CRI 95, SDCM2, 20-45°, 3-phase, wireless DMX
	<input type="checkbox"/>	NEOPW40C-AHX-2	Neo Profile Wide 230V/24W DMX 4000K, Black	CRI 95, SDCM2, 20-45°, 3-phase, wireless DMX
	<input type="checkbox"/>	NEOPW40C-AHX-3	Neo Profile Wide 230V/24W DMX 4000K, White	CRI 95, SDCM2, 20-45°, 3-phase, wireless DMX



NEO PROFILE WIDE DALI

DALI (Dimming 1-100%).
Equipped with a DALI driver for Global Trac PULSE track



2700K	<input type="checkbox"/>	NEOPW27C-AHD-1	Neo Profile Wide 230V/24W DALI 2700K, Grey	CRI 95, SDCM2, 20-45°, 3-phase, PULSE DALI
	<input type="checkbox"/>	NEOPW27C-AHD-2	Neo Profile Wide 230V/24W DALI 2700K, Black	CRI 95, SDCM2, 20-45°, 3-phase, PULSE DALI
	<input type="checkbox"/>	NEOPW27C-AHD-3	Neo Profile Wide 230V/24W DALI 2700K, White	CRI 95, SDCM2, 20-45°, 3-phase, PULSE DALI
3000K	<input type="checkbox"/>	NEOPW30C-AHD-1	Neo Profile Wide 230V/24W DALI 3000K, Grey	CRI 95, SDCM2, 20-45°, 3-phase, PULSE DALI
	<input type="checkbox"/>	NEOPW30C-AHD-2	Neo Profile Wide 230V/24W DALI 3000K, Black	CRI 95, SDCM2, 20-45°, 3-phase, PULSE DALI
	<input type="checkbox"/>	NEOPW30C-AHD-3	Neo Profile Wide 230V/24W DALI 3000K, White	CRI 95, SDCM2, 20-45°, 3-phase, PULSE DALI
4000K	<input type="checkbox"/>	NEOPW40C-AHD-1	Neo Profile Wide 230V/24W DALI 4000K, Grey	CRI 95, SDCM2, 20-45°, 3-phase, PULSE DALI
	<input type="checkbox"/>	NEOPW40C-AHD-2	Neo Profile Wide 230V/24W DALI 4000K, Black	CRI 95, SDCM2, 20-45°, 3-phase, PULSE DALI
	<input type="checkbox"/>	NEOPW40C-AHD-3	Neo Profile Wide 230V/24W DALI 4000K, White	CRI 95, SDCM2, 20-45°, 3-phase, PULSE DALI



NEO PROFILE WIDE CASAMBI

Fixture is configured using the Casambi app
Fits most known 3-phase tracks

2700K	<input checked="" type="checkbox"/>	NEOPW27C-AHC-1	Neo Profile Wide 230V/24W Casambi 2700K, Grey	CRI 95, SDCM2, 20-45°, 3-phase
	<input checked="" type="checkbox"/>	NEOPW27C-AHC-2	Neo Profile Wide 230V/24W Casambi 2700K, Black	CRI 95, SDCM2, 20-45°, 3-phase
	<input type="checkbox"/>	NEOPW27C-AHC-3	Neo Profile Wide 230V/24W Casambi 2700K, White	CRI 95, SDCM2, 20-45°, 3-phase
3000K	<input checked="" type="checkbox"/>	NEOPW30C-AHC-1	Neo Profile Wide 230V/24W Casambi 3000K, Grey	CRI 95, SDCM2, 20-45°, 3-phase
	<input checked="" type="checkbox"/>	NEOPW30C-AHC-2	Neo Profile Wide 230V/24W Casambi 3000K, Black	CRI 95, SDCM2, 20-45°, 3-phase
	<input type="checkbox"/>	NEOPW30C-AHC-3	Neo Profile Wide 230V/24W Casambi 3000K, White	CRI 95, SDCM2, 20-45°, 3-phase
4000K	<input checked="" type="checkbox"/>	NEOPW40C-AHC-1	Neo Profile Wide 230V/24W Casambi 4000K, Grey	CRI 95, SDCM2, 20-45°, 3-phase
	<input checked="" type="checkbox"/>	NEOPW40C-AHC-2	Neo Profile Wide 230V/24W Casambi 4000K, Black	CRI 95, SDCM2, 20-45°, 3-phase
	<input type="checkbox"/>	NEOPW40C-AHC-3	Neo Profile Wide 230V/24W Casambi 4000K, White	CRI 95, SDCM2, 20-45°, 3-phase



NEO PROFILE WIDE CC SOLO

No driver / adapter included
Operated by external LED driver, max 600 mA / 22W, Vf = 36V

2700K	<input checked="" type="checkbox"/>	NEOPW27C-CCS-1	Neo Profile Wide CC/600mA Solo 2700K, Grey	Vf=36V, 600mA, CRI 95, SDCM2, 20-45°, 1m cable
	<input checked="" type="checkbox"/>	NEOPW27C-CCS-2	Neo Profile Wide CC/600mA Solo 2700K, Black	Vf=36V, 600mA, CRI 95, SDCM2, 20-45°, 1m cable
	<input type="checkbox"/>	NEOPW27C-CCS-3	Neo Profile Wide CC/600mA Solo 2700K, White	Vf=36V, 600mA, CRI 95, SDCM2, 20-45°, 1m cable
3000K	<input checked="" type="checkbox"/>	NEOPW30C-CCS-1	Neo Profile Wide CC/600mA Solo 3000K, Grey	Vf=36V, 600mA, CRI 95, SDCM2, 20-45°, 1m cable
	<input checked="" type="checkbox"/>	NEOPW30C-CCS-2	Neo Profile Wide CC/600mA Solo 3000K, Black	Vf=36V, 600mA, CRI 95, SDCM2, 20-45°, 1m cable
	<input type="checkbox"/>	NEOPW30C-CCS-3	Neo Profile Wide CC/600mA Solo 3000K, White	Vf=36V, 600mA, CRI 95, SDCM2, 20-45°, 1m cable
4000K	<input checked="" type="checkbox"/>	NEOPW40C-CCS-1	Neo Profile Wide CC/600mA Solo 4000K, Grey	Vf=36V, 600mA, CRI 95, SDCM2, 20-45°, 1m cable
	<input checked="" type="checkbox"/>	NEOPW40C-CCS-2	Neo Profile Wide CC/600mA Solo 4000K, Black	Vf=36V, 600mA, CRI 95, SDCM2, 20-45°, 1m cable
	<input type="checkbox"/>	NEOPW40C-CCS-3	Neo Profile Wide CC/600mA Solo 4000K, White	Vf=36V, 600mA, CRI 95, SDCM2, 20-45°, 1m cable

ARTY PAR

A compact spotlight that handles many lighting situations



Arty PAR is based on the reliable Dinkey platform but with generally higher power and light output. Very compact and robust lamp housing made of aluminium.

The benefits

- Available for all Ljusdesign lighting systems
- Small and stylish
- Changable lenses

Choose the variant that fits your needs.

	230V	Pico Trac	Mini Trac	LED Profile
Article	HV	PT	MT	CCL
Function	Integrated manual dimmer 0-100%	Integrated manual dimmer 0-100%	Integrated manual dimmer 0-100%	No local dimmer External dimming possible
Compatibility	3 phase track	12V DC	12V DC	500 mA

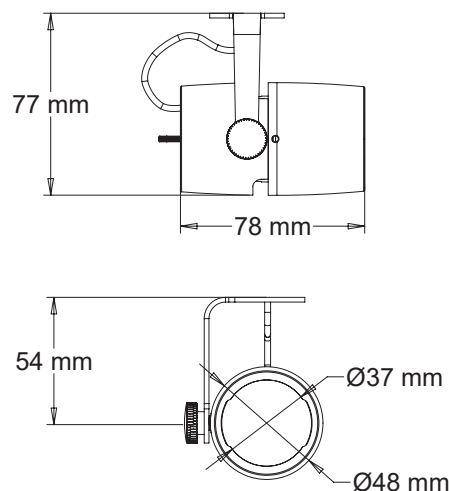
Arty PAR Specification

Material	Lamp housing made of aluminum Yoke and details made of steel Lens made of polycarbonate
Finish	Grey (RAL 7040) Black (RAL 9005) White (RAL 9016)
System	3-phase circuit track Pico Trac Mini Trac LED profile
Protection class	IP20
Operating	230V/12V DC/CC
Power consumption	6W/8W/10W
Beam angle	Interchangeable lenses
Color temperatures	2700K, 3000K, 4000K
Swivels	>365°
Tilts	>90°
Weight	280 g
Features	Filter holder, toolless pan and tilt lock
Optional accessories	Honey comb 40mm



Light Data

LED Lumen	520 lm
Luminaire Lumen	345 lm (Narrow lens)
CRI	90
Red component R9	>60
MacAdam	3-step ellipse (SDCM 3)
TM30-18 Rf	94
TM30-18 Rg	102



Beam Angles

Lens:	Narrow		Medium		Wide		Elliptical	
	14,4°		23,3°		26°		45,9 x 12,8°	
[m]	Ø	Lux	Ø	Lux	Ø	Lux	Ø	Lux
1	0,3	4035	0,4	1467	0,5	1069	0,5	1522
2	0,5	1009	0,8	367	0,9	267	1	381
3	0,8	448	1,2	163	1,4	119	1,6	169

Light data from 8W/10W 3000K

SPOTLIGHTS ARTY PAR



ARTY PAR / 230V

Built-in local dimmer (0-100%)
Fits most known 3-phase tracks
Slim profile adapter

2700K	<input type="checkbox"/>	ARTPAR27C-HV-1	Arty PAR 230V/10W Multi 2700K, Grey	CRI 90, lens N, 3-phase, dimmer
	<input type="checkbox"/>	ARTPAR27C-HV-2	Arty PAR 230V/10W Multi 2700K, Black	CRI 90, lens N, 3-phase, dimmer
	<input type="checkbox"/>	ARTPAR27C-HV-3	Arty PAR 230V/10W Multi 2700K, White	CRI 90, lens N, 3-phase, dimmer
3000K	<input type="checkbox"/>	ARTPAR30C-HV-1	Arty PAR 230V/10W Multi 3000K, Grey	CRI 90, lens N, 3-phase, dimmer
	<input type="checkbox"/>	ARTPAR30C-HV-2	Arty PAR 230V/10W Multi 3000K, Black	CRI 90, lens N, 3-phase, dimmer
	<input type="checkbox"/>	ARTPAR30C-HV-3	Arty PAR 230V/10W Multi 3000K, White	CRI 90, lens N, 3-phase, dimmer
4000K	<input type="checkbox"/>	ARTPAR40C-HV-1	Arty PAR 230V/10W Multi 4000K, Grey	CRI 90, lens N, 3-phase, dimmer
	<input type="checkbox"/>	ARTPAR40C-HV-2	Arty PAR 230V/10W Multi 4000K, Black	CRI 90, lens N, 3-phase, dimmer
	<input type="checkbox"/>	ARTPAR40C-HV-3	Arty PAR 230V/10W Multi 4000K, White	CRI 90, lens N, 3-phase, dimmer



ARTY PAR / PICO TRAC

Built-in local dimmer (0-100%)
Fits Pico Trac

2700K	<input type="checkbox"/>	ARTPAR27C-PT-1	Arty PAR 12V DC/8W Pico Trac 2700K, Grey	CRI 90, lens N, dimmer
	<input type="checkbox"/>	ARTPAR27C-PT-2	Arty PAR 12V DC/8W Pico Trac 2700K, Black	CRI 90, lens N, dimmer
	<input type="checkbox"/>	ARTPAR27C-PT-3	Arty PAR 12V DC/8W Pico Trac 2700K, White	CRI 90, lens N, dimmer
3000K	<input type="checkbox"/>	ARTPAR30C-PT-1	Arty PAR 12V DC/8W Pico Trac 3000K, Grey	CRI 90, lens N, dimmer
	<input type="checkbox"/>	ARTPAR30C-PT-2	Arty PAR 12V DC/8W Pico Trac 3000K, Black	CRI 90, lens N, dimmer
	<input type="checkbox"/>	ARTPAR30C-PT-3	Arty PAR 12V DC/8W Pico Trac 3000K, White	CRI 90, lens N, dimmer
4000K	<input type="checkbox"/>	ARTPAR40C-PT-1	Arty PAR 12V DC/8W Pico Trac 4000K, Grey	CRI 90, lens N, dimmer
	<input type="checkbox"/>	ARTPAR40C-PT-2	Arty PAR 12V DC/8W Pico Trac 4000K, Black	CRI 90, lens N, dimmer
	<input type="checkbox"/>	ARTPAR40C-PT-3	Arty PAR 12V DC/8W Pico Trac 4000K, White	CRI 90, lens N, dimmer



ARTY PAR / MINI TRAC

Built-in local dimmer (0-100%)
Fits Mini Trac

2700K	<input type="checkbox"/>	ARTPAR27C-MT-1	Arty PAR 12V DC/8W Mini Trac 2700K, Grey	CRI 90, lens N, dimmer
	<input type="checkbox"/>	ARTPAR27C-MT-2	Arty PAR 12V DC/8W Mini Trac 2700K, Black	CRI 90, lens N, dimmer
	<input type="checkbox"/>	ARTPAR27C-MT-3	Arty PAR 12V DC/8W Mini Trac 2700K, White	CRI 90, lens N, dimmer
3000K	<input type="checkbox"/>	ARTPAR30C-MT-1	Arty PAR 12V DC/8W Mini Trac 3000K, Grey	CRI 90, lens N, dimmer
	<input type="checkbox"/>	ARTPAR30C-MT-2	Arty PAR 12V DC/8W Mini Trac 3000K, Black	CRI 90, lens N, dimmer
	<input type="checkbox"/>	ARTPAR30C-MT-3	Arty PAR 12V DC/8W Mini Trac 3000K, White	CRI 90, lens N, dimmer
4000K	<input type="checkbox"/>	ARTPAR40C-MT-1	Arty PAR 12V DC/8W Mini Trac 4000K, Grey	CRI 90, lens N, dimmer
	<input type="checkbox"/>	ARTPAR40C-MT-2	Arty PAR 12V DC/8W Mini Trac 4000K, Black	CRI 90, lens N, dimmer
	<input type="checkbox"/>	ARTPAR40C-MT-3	Arty PAR 12V DC/8W Mini Trac 4000K, White	CRI 90, lens N, dimmer



ARTY PAR / 12V DC SOLO

Built-in local dimmer (0-100%)
Operates with 12V DC

2700K	<input type="checkbox"/>	ARTPAR27C-LVS-1	Arty PAR 12V DC/8W Solo 2700K, Grey	CRI 90, lens N, dimmer, 1m cable
	<input type="checkbox"/>	ARTPAR27C-LVS-2	Arty PAR 12V DC/8W Solo 2700K, Black	CRI 90, lens N, dimmer, 1m cable
	<input type="checkbox"/>	ARTPAR27C-LVS-3	Arty PAR 12V DC/8W Solo 2700K, White	CRI 90, lens N, dimmer, 1m cable
3000K	<input type="checkbox"/>	ARTPAR30C-LVS-1	Arty PAR 12V DC/8W Solo 3000K, Grey	CRI 90, lens N, dimmer, 1m cable
	<input type="checkbox"/>	ARTPAR30C-LVS-2	Arty PAR 12V DC/8W Solo 3000K, Black	CRI 90, lens N, dimmer, 1m cable
	<input type="checkbox"/>	ARTPAR30C-LVS-3	Arty PAR 12V DC/8W Solo 3000K, White	CRI 90, lens N, dimmer, 1m cable
4000K	<input type="checkbox"/>	ARTPAR40C-LVS-1	Arty PAR 12V DC/8W Solo 4000K, Grey	CRI 90, lens N, dimmer, 1m cable
	<input type="checkbox"/>	ARTPAR40C-LVS-2	Arty PAR 12V DC/8W Solo 4000K, Black	CRI 90, lens N, dimmer, 1m cable
	<input type="checkbox"/>	ARTPAR40C-LVS-3	Arty PAR 12V DC/8W Solo 4000K, White	CRI 90, lens N, dimmer, 1m cable



ARTY PAR / CCL

For LED Profile
Operated by external LED driver, max 500 mA / 6W, Vf = 12V

2700K	<input type="checkbox"/>	ARTPAR27B-CCL-1	Arty PAR CC/500mA LED profile 2700K, Grey	Vf=12V, 500mA, CRI90, Lens N
	<input type="checkbox"/>	ARTPAR27B-CCL-2	Arty PAR CC/500mA LED profile 2700K, Black	Vf=12V, 500mA, CRI90, Lens N
	<input type="checkbox"/>	ARTPAR27B-CCL-3	Arty PAR CC/500mA LED profile 2700K, White	Vf=12V, 500mA, CRI90, Lens N
3000K	<input type="checkbox"/>	ARTPAR30B-CCL-1	Arty PAR CC/500mA LED profile 3000K, Grey	Vf=12V, 500mA, CRI90, Lens N
	<input type="checkbox"/>	ARTPAR30B-CCL-2	Arty PAR CC/500mA LED profile 3000K, Black	Vf=12V, 500mA, CRI90, Lens N
	<input type="checkbox"/>	ARTPAR30B-CCL-3	Arty PAR CC/500mA LED profile 3000K, White	Vf=12V, 500mA, CRI90, Lens N



ARTY PAR / CCS

No driver / adapter included
Operated by external LED driver, max 500 mA / 6W, Vf = 12V

2700K	<input type="checkbox"/>	ARTPAR27B-CCS-1	Arty PAR CC/500mA Solo 2700K, Grey	Vf=12V, 500mA, CRI90, Lens N, 1m cable
	<input type="checkbox"/>	ARTPAR27B-CCS-2	Arty PAR CC/500mA Solo 2700K, Black	Vf=12V, 500mA, CRI90, Lens N, 1m cable
	<input type="checkbox"/>	ARTPAR27B-CCS-3	Arty PAR CC/500mA Solo 2700K, White	Vf=12V, 500mA, CRI90, Lens N, 1m cable
3000K	<input type="checkbox"/>	ARTPAR30B-CCS-1	Arty PAR CC/500mA Solo 3000K, Grey	Vf=12V, 500mA, CRI90, Lens N, 1m cable
	<input type="checkbox"/>	ARTPAR30B-CCS-2	Arty PAR CC/500mA Solo 3000K, Black	Vf=12V, 500mA, CRI90, Lens N, 1m cable
	<input type="checkbox"/>	ARTPAR30B-CCS-3	Arty PAR CC/500mA Solo 3000K, White	Vf=12V, 500mA, CRI90, Lens N, 1m cable

ARTY PROFILE

Small, full-featured contour spotlight



Arty Profile Zoom has a beam angle range from 25–50°. Comes with shutters blades that creates crisp and sharp edges. Great framing possibilities.

The benefits

- Sharp-edged framing
- Gobo projection possibility
- Comes in many different variations

Choose the variant that fits your needs.

	230V	Pico Trac	Mini Trac	LED Profile
Article	HV	PT	MT	CCL
Function	Integrated manual dimmer 0-100%	Integrated manual dimmer 0-100%	Integrated manual dimmer 0-100%	No local dimmer External dimming possible
Compatibility	3 phase track	12V DC	12V DC	500 mA

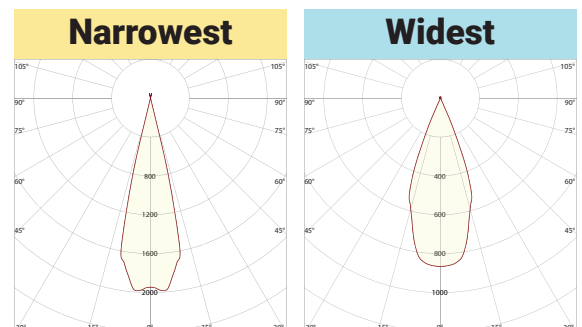
Arty Profile Specification

Material	Lamp housing made of aluminum Yoke and details made of steel Anti-reflective zoom lenses made of glass
Finish	Grey (RAL 7040) Black (RAL 9005) White (RAL 9016)
System	3-phase circuit track Pico Trac Mini Trac LED profile
Protection class	IP20
Operating	230V/12V DC/CC
Power consumption	6W/8W/10W
Beam angle	25–50°
Color temperatures	2700K, 3000K, 4000K
Swivels	>365°
Tilts	>90°
Weight	280 g
Features	Filter holder, phase selector, toolless pan and tilt lock
Optional accessories	Gobo holder, gobo pattern

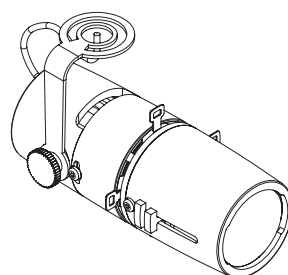
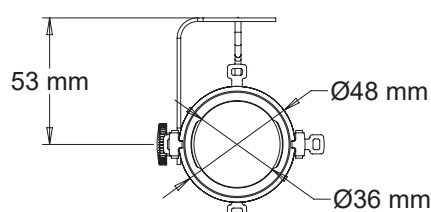
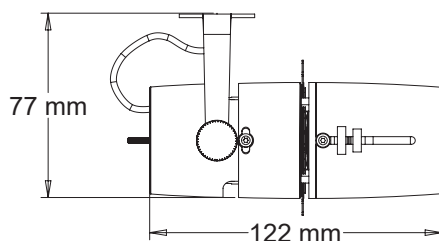


Light Data

LED Lumen	520 lm
Luminaire Lumen	290 lm
CRI	90
Red component R9	>60
MacAdam	3-step ellipse (SDCM 3)
TM30-18 Rf	95
TM30-18 Rg	100



	[m]	Ø	Lux	Ø	Lux
	1	0,4	1949	0,7	865
	2	0,9	487	1,4	216
	3	1,3	217	2,1	96
Cut off			29,9		50,5
Field angle			29,2		48,4
Beam angle			25,1		38,8



Light data from 8W/10W 3000K

SPOTLIGHTS ARTY PROFILE



ARTY PROFILE / 230V

Built-in local dimmer (0-100%)
Fits most known 3-phase tracks
Slim profile adapter

2700K	<input type="checkbox"/>	ARTPZ27C-HV-1	Arty Profile 230V/10W Multi 2700K, Grey	CRI 90, 25–50°, 3-phase, dimmer
	<input type="checkbox"/>	ARTPZ27C-HV-2	Arty Profile 230V/10W Multi 2700K, Black	CRI 90, 25–50°, 3-phase, dimmer
	<input type="checkbox"/>	ARTPZ27C-HV-3	Arty Profile 230V/10W Multi 2700K, White	CRI 90, 25–50°, 3-phase, dimmer
3000K	<input type="checkbox"/>	ARTPZ30C-HV-1	Arty Profile 230V/10W Multi 3000K, Grey	CRI 90, 25–50°, 3-phase, dimmer
	<input type="checkbox"/>	ARTPZ30C-HV-2	Arty Profile 230V/10W Multi 3000K, Black	CRI 90, 25–50°, 3-phase, dimmer
	<input type="checkbox"/>	ARTPZ30C-HV-3	Arty Profile 230V/10W Multi 3000K, White	CRI 90, 25–50°, 3-phase, dimmer
4000K	<input type="checkbox"/>	ARTPZ40C-HV-1	Arty Profile 230V/10W Multi 4000K, Grey	CRI 90, 25–50°, 3-phase, dimmer
	<input type="checkbox"/>	ARTPZ40C-HV-2	Arty Profile 230V/10W Multi 4000K, Black	CRI 90, 25–50°, 3-phase, dimmer
	<input type="checkbox"/>	ARTPZ40C-HV-3	Arty Profile 230V/10W Multi 4000K, White	CRI 90, 25–50°, 3-phase, dimmer



ARTY PROFILE / PICO TRAC

Built-in local dimmer (0-100%)
Fits Pico Trac

2700K	<input type="checkbox"/>	ARTPZ27C-PT-1	Arty Profile 12V DC/8W Pico Trac 2700K, Grey	CRI 90, 25–50°, dimmer
	<input type="checkbox"/>	ARTPZ27C-PT-2	Arty Profile 12V DC/8W Pico Trac 2700K, Black	CRI 90, 25–50°, dimmer
	<input type="checkbox"/>	ARTPZ27C-PT-3	Arty Profile 12V DC/8W Pico Trac 2700K, White	CRI 90, 25–50°, dimmer
3000K	<input type="checkbox"/>	ARTPZ30C-PT-1	Arty Profile 12V DC/8W Pico Trac 3000K, Grey	CRI 90, 25–50°, dimmer
	<input type="checkbox"/>	ARTPZ30C-PT-2	Arty Profile 12V DC/8W Pico Trac 3000K, Black	CRI 90, 25–50°, dimmer
	<input type="checkbox"/>	ARTPZ30C-PT-3	Arty Profile 12V DC/8W Pico Trac 3000K, White	CRI 90, 25–50°, dimmer
4000K	<input type="checkbox"/>	ARTPZ40C-PT-1	Arty Profile 12V DC/8W Pico Trac 4000K, Grey	CRI 90, 25–50°, dimmer
	<input type="checkbox"/>	ARTPZ40C-PT-2	Arty Profile 12V DC/8W Pico Trac 4000K, Black	CRI 90, 25–50°, dimmer
	<input type="checkbox"/>	ARTPZ40C-PT-3	Arty Profile 12V DC/8W Pico Trac 4000K, White	CRI 90, 25–50°, dimmer



ARTY PROFILE / MINI TRAC

Built-in local dimmer (0-100%)
Fits Mini Trac

2700K	<input type="checkbox"/>	ARTPZ27C-MT-1	Arty Profile 12V DC/8W Mini Trac 2700K, Grey	CRI 90, 25–50°, dimmer
	<input type="checkbox"/>	ARTPZ27C-MT-2	Arty Profile 12V DC/8W Mini Trac 2700K, Black	CRI 90, 25–50°, dimmer
	<input type="checkbox"/>	ARTPZ27C-MT-3	Arty Profile 12V DC/8W Mini Trac 2700K, White	CRI 90, 25–50°, dimmer
3000K	<input type="checkbox"/>	ARTPZ30C-MT-1	Arty Profile 12V DC/8W Mini Trac 3000K, Grey	CRI 90, 25–50°, dimmer
	<input type="checkbox"/>	ARTPZ30C-MT-2	Arty Profile 12V DC/8W Mini Trac 3000K, Black	CRI 90, 25–50°, dimmer
	<input type="checkbox"/>	ARTPZ30C-MT-3	Arty Profile 12V DC/8W Mini Trac 3000K, White	CRI 90, 25–50°, dimmer
4000K	<input type="checkbox"/>	ARTPZ40C-MT-1	Arty Profile 12V DC/8W Mini Trac 4000K, Grey	CRI 90, 25–50°, dimmer
	<input type="checkbox"/>	ARTPZ40C-MT-2	Arty Profile 12V DC/8W Mini Trac 4000K, Black	CRI 90, 25–50°, dimmer
	<input type="checkbox"/>	ARTPZ40C-MT-3	Arty Profile 12V DC/8W Mini Trac 4000K, White	CRI 90, 25–50°, dimmer



ARTY PROFILE / 12V DC SOLO

Built-in local dimmer (0-100%)
Operates with 12V DC

2700K	<input type="checkbox"/>	ARTPZ27C-LVS-1	Arty Profile 12V DC/8W Solo 2700K, Grey	CRI 90, 25-50°, dimmer, 1m cable
	<input type="checkbox"/>	ARTPZ27C-LVS-2	Arty Profile 12V DC/8W Solo 2700K, Black	CRI 90, 25-50°, dimmer, 1m cable
	<input type="checkbox"/>	ARTPZ27C-LVS-3	Arty Profile 12V DC/8W Solo 2700K, White	CRI 90, 25-50°, dimmer, 1m cable
3000K	<input type="checkbox"/>	ARTPZ30C-LVS-1	Arty Profile 12V DC/8W Solo 3000K, Grey	CRI 90, 25-50°, dimmer, 1m cable
	<input type="checkbox"/>	ARTPZ30C-LVS-2	Arty Profile 12V DC/8W Solo 3000K, Black	CRI 90, 25-50°, dimmer, 1m cable
	<input type="checkbox"/>	ARTPZ30C-LVS-3	Arty Profile 12V DC/8W Solo 3000K, White	CRI 90, 25-50°, dimmer, 1m cable
4000K	<input type="checkbox"/>	ARTPZ40C-LVS-1	Arty Profile 12V DC/8W Solo 4000K, Grey	CRI 90, 25-50°, dimmer, 1m cable
	<input type="checkbox"/>	ARTPZ40C-LVS-2	Arty Profile 12V DC/8W Solo 4000K, Black	CRI 90, 25-50°, dimmer, 1m cable
	<input type="checkbox"/>	ARTPZ40C-LVS-3	Arty Profile 12V DC/8W Solo 4000K, White	CRI 90, 25-50°, dimmer, 1m cable



ARTY PROFILE / CCL

For LED Profile
Operated by external LED driver, max 500 mA / 6W, Vf = 12V

2700K	<input type="checkbox"/>	ARTPZ27B-CCL-1	Arty Profile CC/500mA LED profile 2700K, Grey	Vf=12V, 500mA, CRI 90, 25-50°
	<input type="checkbox"/>	ARTPZ27B-CCL-2	Arty Profile CC/500mA LED profile 2700K, Black	Vf=12V, 500mA, CRI 90, 25-50°
	<input type="checkbox"/>	ARTPZ27B-CCL-3	Arty Profile CC/500mA LED profile 2700K, White	Vf=12V, 500mA, CRI 90, 25-50°
3000K	<input type="checkbox"/>	ARTPZ30B-CCL-1	Arty Profile CC/500mA LED profile 3000K, Grey	Vf=12V, 500mA, CRI 90, 25-50°
	<input type="checkbox"/>	ARTPZ30B-CCL-2	Arty Profile CC/500mA LED profile 3000K, Black	Vf=12V, 500mA, CRI 90, 25-50°
	<input type="checkbox"/>	ARTPZ30B-CCL-3	Arty Profile CC/500mA LED profile 3000K, White	Vf=12V, 500mA, CRI 90, 25-50°



ARTY PROFILE / CCS

No driver / adapter included
Operated by external LED driver, max 500 mA / 6W, Vf = 12V

2700K	<input type="checkbox"/>	ARTPZ27B-CCS-1	Arty Profile CC/500mA Solo 2700K, Grey	Vf=12V, 500mA, CRI 90, 25-50°, 1m cable
	<input type="checkbox"/>	ARTPZ27B-CCS-2	Arty Profile CC/500mA Solo 2700K, Black	Vf=12V, 500mA, CRI 90, 25-50°, 1m cable
	<input type="checkbox"/>	ARTPZ27B-CCS-3	Arty Profile CC/500mA Solo 2700K, White	Vf=12V, 500mA, CRI 90, 25-50°, 1m cable
3000K	<input type="checkbox"/>	ARTPZ30B-CCS-1	Arty Profile CC/500mA Solo 3000K, Grey	Vf=12V, 500mA, CRI 90, 25-50°, 1m cable
	<input type="checkbox"/>	ARTPZ30B-CCS-2	Arty Profile CC/500mA Solo 3000K, Black	Vf=12V, 500mA, CRI 90, 25-50°, 1m cable
	<input type="checkbox"/>	ARTPZ30B-CCS-3	Arty Profile CC/500mA Solo 3000K, White	Vf=12V, 500mA, CRI 90, 25-50°, 1m cable

ARTY ZOOM

Adjustable zoom and barn doors



Arty Zoom has a beam angle range from 7–45°. The lens is lightly frosted and creates a nice diffused light that works very well with the attachable barn doors.

The benefits

- Large zoom range
- Rotatable barn doors
- Built-in dimmer

Choose the variant that fits your needs.

	230V	Pico Trac	Mini Trac	LED Profile
Article	HV	PT	MT	CCL
Function	Integrated manual dimmer 0-100%	Integrated manual dimmer 0-100%	Integrated manual dimmer 0-100%	No local dimmer External dimming possible
Compatibility	3 phase track	12V DC	12V DC	500 mA

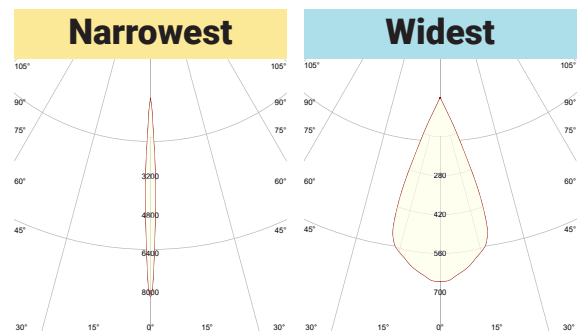
Arty Zoom Specification

Material	Lamp housing made of aluminum Yoke and details made of steel Lens made of glass
Finish	Grey (RAL 7040) Black (RAL 9005) White (RAL 9016)
System	3-phase circuit track Pico Trac Mini Trac LED profile
Protection class	IP20
Operating	230V/12V DC/CC
Power consumption	6W/8W/10W
Beam angle	7–45°
Color temperature	2700K, 3000K, 4000K
Swivels	>365°
Tilts	>90°
Weight	330 g (with adapter)
Features	Filter holder, phase selector, toolless pan and tilt lock
Always included	Barn doors



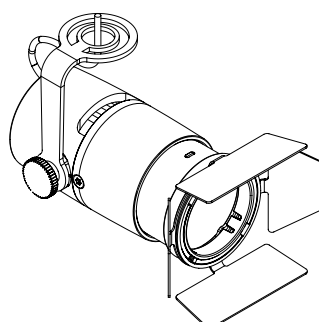
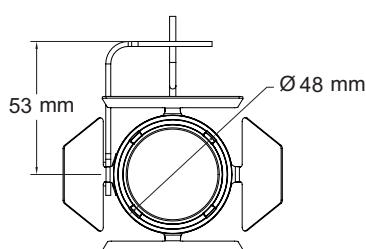
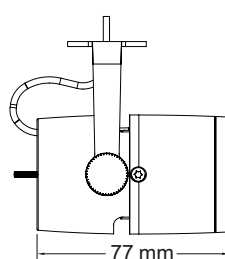
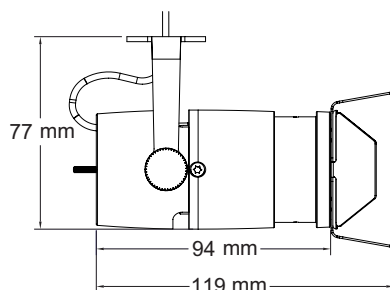
Light Data

LED Lumen	520 lm
Luminaire Lumen	300 lm
CRI	90
Red component R9	>60
MacAdam	3-step ellipse (SDCM 3)
TM30-18 Rf	90
TM30-18 Rg	100



	[m]	∅	Lux	∅	Lux
	1	0,1	7668	0,8	660
	2	0,2	1917	1,7	165
	3	0,3	852	2,5	73
		Cut off	16,4	Cut off	55,9
		Field angle	12,1	Field angle	53,3
		Beam angle	6,4	Beam angle	45,7

Light data from 8W/10W 3000K



SPOTLIGHTS ARTY ZOOM



ARTY ZOOM / 230V

Built-in local dimmer (0-100%)
Fits most known 3-phase tracks
Barn doors included

2700K		ARTZOOM27C-HV-1	Arty PC 230V/10W Multi 2700K, Grey	CRI 90, 7-45°, 3-phase, dimmer
		ARTZOOM27C-HV-2	Arty PC 230V/10W Multi 2700K, Black	CRI 90, 7-45°, 3-phase, dimmer
		ARTZOOM27C-HV-3	Arty PC 230V/10W Multi 2700K, White	CRI 90, 7-45°, 3-phase, dimmer
3000K		ARTZOOM30C-HV-1	Arty PC 230V/10W Multi 3000K, Grey	CRI 90, 7-45°, 3-phase, dimmer
		ARTZOOM30C-HV-2	Arty PC 230V/10W Multi 3000K, Black	CRI 90, 7-45°, 3-phase, dimmer
		ARTZOOM30C-HV-3	Arty PC 230V/10W Multi 3000K, White	CRI 90, 7-45°, 3-phase, dimmer
4000K		ARTZOOM40C-HV-1	Arty PC 230V/10W Multi 4000K, Grey	CRI 90, 7-45°, 3-phase, dimmer
		ARTZOOM40C-HV-2	Arty PC 230V/10W Multi 4000K, Black	CRI 90, 7-45°, 3-phase, dimmer
		ARTZOOM40C-HV-3	Arty PC 230V/10W Multi 4000K, White	CRI 90, 7-45°, 3-phase, dimmer



ARTY ZOOM / PICO TRAC

Built-in local dimmer (0-100%)
Fits Pico Trac

2700K		ARTZOOM27B-PT-1	Arty Zoom 12V DC/8W Pico Trac 2700K, Grey	CRI 90, 7-45°, dimmer
		ARTZOOM27B-PT-2	Arty Zoom 12V DC/8W Pico Trac 2700K, Black	CRI 90, 7-45°, dimmer
		ARTZOOM27B-PT-3	Arty Zoom 12V DC/8W Pico Trac 2700K, White	CRI 90, 7-45°, dimmer
3000K		ARTZOOM30B-PT-1	Arty Zoom 12V DC/8W Pico Trac 3000K, Grey	CRI 90, 7-45°, dimmer
		ARTZOOM30B-PT-2	Arty Zoom 12V DC/8W Pico Trac 3000K, Black	CRI 90, 7-45°, dimmer
		ARTZOOM30B-PT-3	Arty Zoom 12V DC/8W Pico Trac 3000K, White	CRI 90, 7-45°, dimmer
4000K		ARTZOOM40B-PT-1	Arty Zoom 12V DC/8W Pico Trac 4000K, Grey	CRI 90, 7-45°, dimmer
		ARTZOOM40B-PT-2	Arty Zoom 12V DC/8W Pico Trac 4000K, Black	CRI 90, 7-45°, dimmer
		ARTZOOM40B-PT-3	Arty Zoom 12V DC/8W Pico Trac 4000K, White	CRI 90, 7-45°, dimmer



ARTY ZOOM / MINI TRAC

Built-in local dimmer (0-100%)
Fits Mini Trac

2700K		ARTZOOM27C-MT-1	Arty Zoom 12V DC/8W Mini Trac 2700K, Grey	CRI 90, 7-45°, dimmer
		ARTZOOM27C-MT-2	Arty Zoom 12V DC/8W Mini Trac 2700K, Black	CRI 90, 7-45°, dimmer
		ARTZOOM27C-MT-3	Arty Zoom 12V DC/8W Mini Trac 2700K, White	CRI 90, 7-45°, dimmer
3000K		ARTZOOM30C-MT-1	Arty Zoom 12V DC/8W Mini Trac 3000K, Grey	CRI 90, 7-45°, dimmer
		ARTZOOM30C-MT-2	Arty Zoom 12V DC/8W Mini Trac 3000K, Black	CRI 90, 7-45°, dimmer
		ARTZOOM30C-MT-3	Arty Zoom 12V DC/8W Mini Trac 3000K, White	CRI 90, 7-45°, dimmer
4000K		ARTZOOM40C-MT-1	Arty Zoom 12V DC/8W Mini Trac 4000K, Grey	CRI 90, 7-45°, dimmer
		ARTZOOM40C-MT-2	Arty Zoom 12V DC/8W Mini Trac 4000K, Black	CRI 90, 7-45°, dimmer
		ARTZOOM40C-MT-3	Arty Zoom 12V DC/8W Mini Trac 4000K, White	CRI 90, 7-45°, dimmer



ARTY ZOOM / 12V DC SOLO

Built-in local dimmer (0-100%)
Operates with 12V DC

2700K	<input type="checkbox"/>	ARTZOOM27C-LVS-1	Arty Zoom 12V DC/8W Solo 2700K, Grey	CRI 90, 7-45°, dimmer, 1m cable
	<input type="checkbox"/>	ARTZOOM27C-LVS-2	Arty Zoom 12V DC/8W Solo 2700K, Black	CRI 90, 7-45°, dimmer, 1m cable
	<input type="checkbox"/>	ARTZOOM27C-LVS-3	Arty Zoom 12V DC/8W Solo 2700K, White	CRI 90, 7-45°, dimmer, 1m cable
3000K	<input type="checkbox"/>	ARTZOOM30C-LVS-1	Arty Zoom 12V DC/8W Solo 3000K, Grey	CRI 90, 7-45°, dimmer, 1m cable
	<input type="checkbox"/>	ARTZOOM30C-LVS-2	Arty Zoom 12V DC/8W Solo 3000K, Black	CRI 90, 7-45°, dimmer, 1m cable
	<input type="checkbox"/>	ARTZOOM30C-LVS-3	Arty Zoom 12V DC/8W Solo 3000K, White	CRI 90, 7-45°, dimmer, 1m cable
4000K	<input type="checkbox"/>	ARTZOOM40C-LVS-1	Arty Zoom 12V DC/8W Solo 4000K, Grey	CRI 90, 7-45°, dimmer, 1m cable
	<input type="checkbox"/>	ARTZOOM40C-LVS-2	Arty Zoom 12V DC/8W Solo 4000K, Black	CRI 90, 7-45°, dimmer, 1m cable
	<input type="checkbox"/>	ARTZOOM40C-LVS-3	Arty Zoom 12V DC/8W Solo 4000K, White	CRI 90, 7-45°, dimmer, 1m cable



ARTY ZOOM / CCL

For LED Profile
Operated by external LED driver, max 500 mA / 6W, Vf = 12V

2700K	<input type="checkbox"/>	ARTZOOM27B-CCL-1	Arty Zoom CC/500mA LED profile 2700K, Grey	Vf=12V, 500mA, CRI 90, 7-45°
	<input type="checkbox"/>	ARTZOOM27B-CCL-2	Arty Zoom CC/500mA LED profile 2700K, Black	Vf=12V, 500mA, CRI 90, 7-45°
	<input type="checkbox"/>	ARTZOOM27B-CCL-3	Arty Zoom CC/500mA LED profile 2700K, White	Vf=12V, 500mA, CRI 90, 7-45°
3000K	<input type="checkbox"/>	ARTZOOM30B-CCL-1	Arty Zoom CC/500mA LED profile 3000K, Grey	Vf=12V, 500mA, CRI 90, 7-45°
	<input type="checkbox"/>	ARTZOOM30B-CCL-2	Arty Zoom CC/500mA LED profile 3000K, Black	Vf=12V, 500mA, CRI 90, 7-45°
	<input type="checkbox"/>	ARTZOOM30B-CCL-3	Arty Zoom CC/500mA LED profile 3000K, White	Vf=12V, 500mA, CRI 90, 7-45°



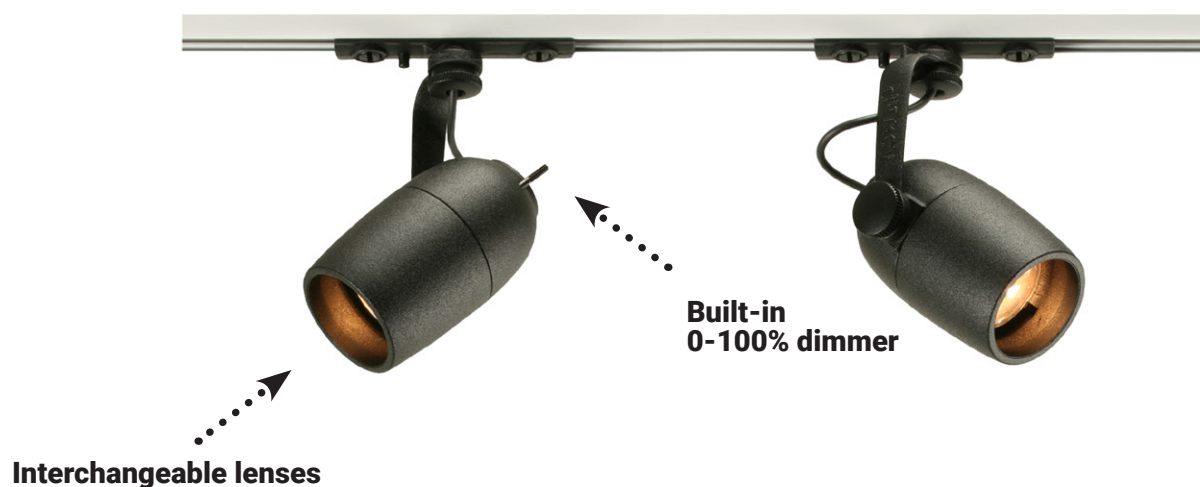
ARTY ZOOM / CCS

No driver / adapter included
Operated by external LED driver, max 500 mA / 6W, Vf = 12V

2700K	<input type="checkbox"/>	ARTZOOM27B-CCS-1	Arty Zoom CC/500mA Solo 2700K, Grey	Vf=12V, 500mA, CRI 90, 7-45°, 1m cable
	<input type="checkbox"/>	ARTZOOM27B-CCS-2	Arty Zoom CC/500mA Solo 2700K, Black	Vf=12V, 500mA, CRI 90, 7-45°, 1m cable
	<input type="checkbox"/>	ARTZOOM27B-CCS-3	Arty Zoom CC/500mA Solo 2700K, White	Vf=12V, 500mA, CRI 90, 7-45°, 1m cable
3000K	<input type="checkbox"/>	ARTZOOM30B-CCS-1	Arty Zoom CC/500mA Solo 3000K, Grey	Vf=12V, 500mA, CRI 90, 7-45°, 1m cable
	<input type="checkbox"/>	ARTZOOM30B-CCS-2	Arty Zoom CC/500mA Solo 3000K, Black	Vf=12V, 500mA, CRI 90, 7-45°, 1m cable
	<input type="checkbox"/>	ARTZOOM30B-CCS-3	Arty Zoom CC/500mA Solo 3000K, White	Vf=12V, 500mA, CRI 90, 7-45°, 1m cable

dinkey

Medium sized spotlight with built-in dimmer



Dinkey is widely used inside larger display cases in museums, It's also the perfect fixture for smaller art galleries, in cafes or home environment. Quick and flexible installation on Mini Trac 12V systems. Optics can be changed without tools.

The benefits

- Low weight fixture of die-cast magnesium
- Easy to use
- Built-in 0-100% dimmer

Choose the variant that fits your needs.

	Mini Trac	Pico Trac	LED Profile
Article	MT	PT	CCL
Function	Integrated manual dimmer 0-100%	Integrated manual dimmer 0-100%	No local dimmer External dimming possible
Compatibility	12V DC	12V DC	500 mA

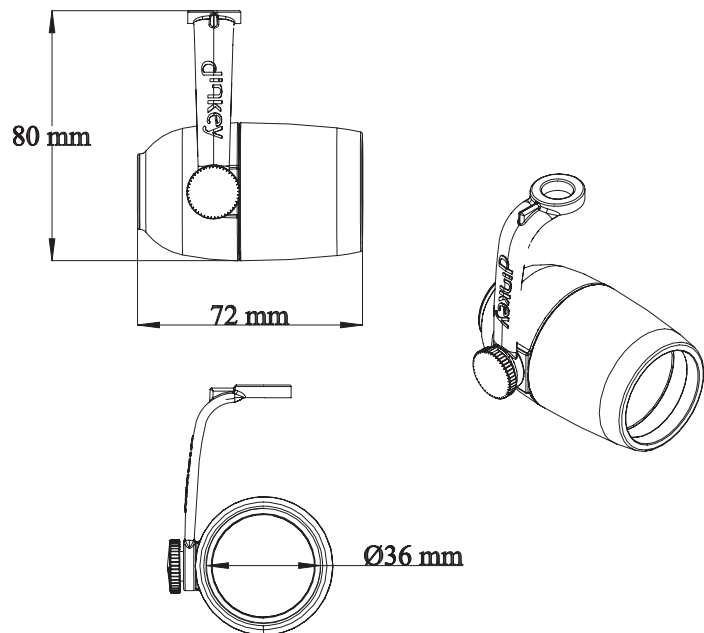
Dinkey Specification

Material	Lamp housing made of die-cast magnesium Yoke and details made of steel Lens made of polycarbonate
Finish	Grey (RAL 9006) Black (RAL 9005) White (RAL 9016)
System	Mini Trac Pico Trac LED profile
Protection class	IP20
Operating	12V DC/CC
Power consumption	4W/6W
Beam angle	Interchangeable lenses
Color temperatures	2700K, 3000K, 4000K
Swivels	>365°
Tilts	>90°
Weight	120 g
Features	Toolless pan and tilt lock
Optional accessories	Honey comb 37 mm

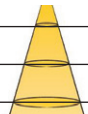




Light Data

LED Lumen	250 lm
Luminaire Lumen	160 lm
CRI	90
Red component R9	>60
MacAdam	3-step ellipse (SDCM 3)
TM30-18 Rf	95
TM30-18 Rg	100



Beam Angles

Lens:	Narrow		Medium		Wide		Elliptical		
	10,6°		19,5°		27,3		46 x 13°		
	[m]	Ø	Lux	Ø	Lux	Ø	Lux	Ø	Lux
	1	0,2	3578	0,3	891	0,5	508	0,5	1104
	2	0,4	894	0,7	223	1	127	0,9	276
	3	0,6	398	1	99	1,5	56	1,4	123

Light data from 4W 3000K

SPOTLIGHTS DINKEY



DINKEY / MINI TRAC

Built-in local dimmer (0-100%)
Fits Mini Trac

2700K	<input type="checkbox"/>	DIN27-MT-1	Dinkey 12V DC/4W Mini Trac 2700K, Grey	250lm, CRI 90, lens N, dimmer
	<input type="checkbox"/>	DIN27-MT-2	Dinkey 12V DC/4W Mini Trac 2700K, Black	250lm, CRI 90, lens N, dimmer
	<input type="checkbox"/>	DIN27-MT-3	Dinkey 12V DC/4W Mini Trac 2700K, White	250lm, CRI 90, lens N, dimmer
3000K	<input type="checkbox"/>	DIN30-MT-1	Dinkey 12V DC/4W Mini Trac 3000K, Grey	250lm, CRI 90, lens N, dimmer
	<input type="checkbox"/>	DIN30-MT-2	Dinkey 12V DC/4W Mini Trac 3000K, Black	250lm, CRI 90, lens N, dimmer
	<input type="checkbox"/>	DIN30-MT-3	Dinkey 12V DC/4W Mini Trac 3000K, White	250lm, CRI 90, lens N, dimmer
4000K	<input type="checkbox"/>	DIN40-MT-1	Dinkey 12V DC/4W Mini Trac 4000K, Grey	250lm, CRI 90, lens N, dimmer
	<input type="checkbox"/>	DIN40-MT-2	Dinkey 12V DC/4W Mini Trac 4000K, Black	250lm, CRI 90, lens N, dimmer
	<input type="checkbox"/>	DIN40-MT-3	Dinkey 12V DC/4W Mini Trac 4000K, White	250lm, CRI 90, lens N, dimmer



DINKEY / PICO TRAC

Built-in local dimmer (0-100%)
Fits Pico Trac

2700K	<input type="checkbox"/>	DIN27-PT-1	Dinkey 12V DC/4W Pico Trac 2700K, Grey	250lm, CRI 90, lens N, dimmer
	<input type="checkbox"/>	DIN27-PT-2	Dinkey 12V DC/4W Pico Trac 2700K, Black	250lm, CRI 90, lens N, dimmer
	<input type="checkbox"/>	DIN27-PT-3	Dinkey 12V DC/4W Pico Trac 2700K, White	250lm, CRI 90, lens N, dimmer
3000K	<input type="checkbox"/>	DIN30-PT-1	Dinkey 12V DC/4W Pico Trac 3000K, Grey	250lm, CRI 90, lens N, dimmer
	<input type="checkbox"/>	DIN30-PT-2	Dinkey 12V DC/4W Pico Trac 3000K, Black	250lm, CRI 90, lens N, dimmer
	<input type="checkbox"/>	DIN30-PT-3	Dinkey 12V DC/4W Pico Trac 3000K, White	250lm, CRI 90, lens N, dimmer
4000K	<input type="checkbox"/>	DIN40-PT-1	Dinkey 12V DC/4W Pico Trac 4000K, Grey	250lm, CRI 90, lens N, dimmer
	<input type="checkbox"/>	DIN40-PT-2	Dinkey 12V DC/4W Pico Trac 4000K, Black	250lm, CRI 90, lens N, dimmer
	<input type="checkbox"/>	DIN40-PT-3	Dinkey 12V DC/4W Pico Trac 4000K, White	250lm, CRI 90, lens N, dimmer



DINKEY / 12V DC SOLO

Built-in local dimmer (0-100%)
Fits Mini Trac

2700K	<input type="checkbox"/>	DIN27-LVS-1	Dinkey 12V DC/4W Solo 2700K, Grey	250lm, CRI 90, lens N, dimmer, 1m cable
	<input type="checkbox"/>	DIN27-LVS-2	Dinkey 12V DC/4W Solo 2700K, Black	250lm, CRI 90, lens N, dimmer, 1m cable
	<input type="checkbox"/>	DIN27-LVS-3	Dinkey 12V DC/4W Solo 2700K, White	250lm, CRI 90, lens N, dimmer, 1m cable
3000K	<input type="checkbox"/>	DIN30-LVS-1	Dinkey 12V DC/4W Solo 3000K, Grey	250lm, CRI 90, lens N, dimmer, 1m cable
	<input type="checkbox"/>	DIN30-LVS-2	Dinkey 12V DC/4W Solo 3000K, Black	250lm, CRI 90, lens N, dimmer, 1m cable
	<input type="checkbox"/>	DIN30-LVS-3	Dinkey 12V DC/4W Solo 3000K, White	250lm, CRI 90, lens N, dimmer, 1m cable
4000K	<input type="checkbox"/>	DIN40-LVS-1	Dinkey 12V DC/4W Solo 4000K, Grey	250lm, CRI 90, lens N, dimmer, 1m cable
	<input type="checkbox"/>	DIN40-LVS-2	Dinkey 12V DC/4W Solo 4000K, Black	250lm, CRI 90, lens N, dimmer, 1m cable
	<input type="checkbox"/>	DIN40-LVS-3	Dinkey 12V DC/4W Solo 4000K, White	250lm, CRI 90, lens N, dimmer, 1m cable



DINKEY / CCL

For LED Profile

Operated by external LED driver, max 1050 mA /3W, Vf = 3V

2700K	<input type="checkbox"/>	DIN27-CCL-1	Dinkey CC/1050mA LED profile 2700K, Grey	250lm, Vf=3V, 1050mA, CRI90, Lens N
	<input type="checkbox"/>	DIN27-CCL-2	Dinkey CC/1050mA LED profile 2700K, Black	250lm, Vf=3V, 1050mA, CRI90, Lens N
	<input type="checkbox"/>	DIN27-CCL-3	Dinkey CC/1050mA LED profile 2700K, White	250lm, Vf=3V, 1050mA, CRI90, Lens N
3000K	<input type="checkbox"/>	DIN30-CCL-1	Dinkey CC/1050mA LED profile 3000K, Grey	260lm, Vf=3V, 1050mA, CRI90, Lens N
	<input type="checkbox"/>	DIN30-CCL-2	Dinkey CC/1050mA LED profile 3000K, Black	260lm, Vf=3V, 1050mA, CRI90, Lens N
	<input type="checkbox"/>	DIN30-CCL-3	Dinkey CC/1050mA LED profile 3000K, White	260lm, Vf=3V, 1050mA, CRI90, Lens N
4000K	<input type="checkbox"/>	DIN40-CCL-1	Dinkey CC/1050mA LED profile 4000K, Grey	260lm, Vf=3V, 1050mA, CRI90, Lens N
	<input type="checkbox"/>	DIN40-CCL-2	Dinkey CC/1050mA LED profile 4000K, Black	260lm, Vf=3V, 1050mA, CRI90, Lens N
	<input type="checkbox"/>	DIN40-CCL-3	Dinkey CC/1050mA LED profile 4000K, White	260lm, Vf=3V, 1050mA, CRI90, Lens N



DINKEY / CCS

No driver / adapter included

Operated by external LED driver, max 1050 mA /3W, Vf = 3V

2700K	<input type="checkbox"/>	DIN27-CCS-1	Dinkey CC/1050mA Solo 2700K, Grey	250lm, Vf=3V, 1050mA, CRI90, Lens N, 1m cable
	<input type="checkbox"/>	DIN27-CCS-2	Dinkey CC/1050mA Solo 2700K, Black	250lm, Vf=3V, 1050mA, CRI90, Lens N, 1m cable
	<input type="checkbox"/>	DIN27-CCS-3	Dinkey CC/1050mA Solo 2700K, White	250lm, Vf=3V, 1050mA, CRI90, Lens N, 1m cable
3000K	<input type="checkbox"/>	DIN30-CCS-1	Dinkey CC/1050mA Solo 3000K, Grey	260lm, Vf=3V, 1050mA, CRI90, Lens N, 1m cable
	<input type="checkbox"/>	DIN30-CCS-2	Dinkey CC/1050mA Solo 3000K, Black	260lm, Vf=3V, 1050mA, CRI90, Lens N, 1m cable
	<input type="checkbox"/>	DIN30-CCS-3	Dinkey CC/1050mA Solo 3000K, White	260lm, Vf=3V, 1050mA, CRI90, Lens N, 1m cable
4000K	<input type="checkbox"/>	DIN40-CCS-1	Dinkey CC/1050mA Solo 4000K, Grey	260lm, Vf=3V, 1050mA, CRI90, Lens N, 1m cable
	<input type="checkbox"/>	DIN40-CCS-2	Dinkey CC/1050mA Solo 4000K, Black	260lm, Vf=3V, 1050mA, CRI90, Lens N, 1m cable
	<input type="checkbox"/>	DIN40-CCS-3	Dinkey CC/1050mA Solo 4000K, White	260lm, Vf=3V, 1050mA, CRI90, Lens N, 1m cable



DINKEY 450LM

This is a more powerful version of Dinkey, beam angles differ from the standard version.

No driver included.

Operated by external LED driver, max 500 mA / 6W, Vf = 12V

2700K	<input type="checkbox"/>	DIN27B-CCL-1	Dinkey CC/500mA LED profile 2700K, Grey	450lm, Vf=12V, 500mA, CRI90, Lens N
	<input type="checkbox"/>	DIN27B-CCL-2	Dinkey CC/500mA LED profile 2700K, Black	450lm, Vf=12V, 500mA, CRI90, Lens N
	<input type="checkbox"/>	DIN27B-CCL-3	Dinkey CC/500mA LED profile 2700K, White	450lm, Vf=12V, 500mA, CRI90, Lens N
3000K	<input type="checkbox"/>	DIN30B-CCL-1	Dinkey CC/500mA LED profile 3000K, Grey	480lm, Vf=12V, 500mA, CRI90, Lens N
	<input type="checkbox"/>	DIN30B-CCL-2	Dinkey CC/500mA LED profile 3000K, Black	480lm, Vf=12V, 500mA, CRI90, Lens N
	<input type="checkbox"/>	DIN30B-CCL-3	Dinkey CC/500mA LED profile 3000K, White	480lm, Vf=12V, 500mA, CRI90, Lens N
2700K	<input type="checkbox"/>	DIN27B-CCS-1	Dinkey CC/500mA Solo 2700K, Grey	450lm, Vf=12V, 500mA, CRI90, Lens N, 1m cable
	<input type="checkbox"/>	DIN27B-CCS-2	Dinkey CC/500mA Solo 2700K, Black	450lm, Vf=12V, 500mA, CRI90, Lens N, 1m cable
	<input type="checkbox"/>	DIN27B-CCS-3	Dinkey CC/500mA Solo 2700K, White	450lm, Vf=12V, 500mA, CRI90, Lens N, 1m cable
3000K	<input type="checkbox"/>	DIN30B-CCS-1	Dinkey CC/500mA Solo 3000K, Grey	480lm, Vf=12V, 500mA, CRI90, Lens N, 1m cable
	<input type="checkbox"/>	DIN30B-CCS-2	Dinkey CC/500mA Solo 3000K, Black	480lm, Vf=12V, 500mA, CRI90, Lens N, 1m cable
	<input type="checkbox"/>	DIN30B-CCS-3	Dinkey CC/500mA Solo 3000K, White	480lm, Vf=12V, 500mA, CRI90, Lens N, 1m cable

gadget L

Track spotlight with interchangeable lenses



Gadget L is great for places where quiet and unobtrusive light is needed. Without excessive features Gadget L makes an excellent choice for churches and the like.

The benefits

- Discreet design, fits everywhere
- Best possible color rendering and color consistency
- Comes in three different beam angles

Choose the variant that fits your needs.

	Analog	DMX	DALI	Casambi
Article	AL	AHX	AHD	AHC
Function	Integrated manual dimmer 0-100%	Wireless DMX via Lumenradio	DALI controlled 1-100%	Bluetooth Low Energy protocol
3 Phase Tracks	Fits most known	Fits most known	Global Trac Pulse	Fits most known

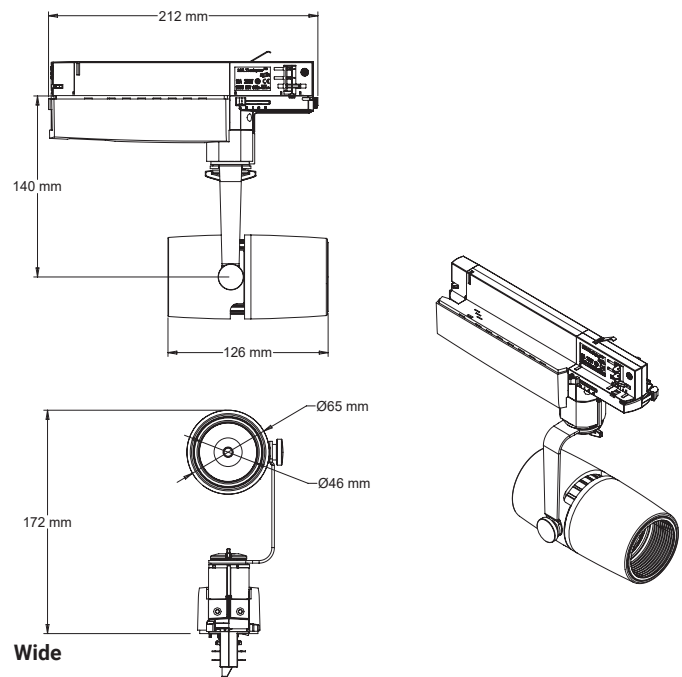
Gadget L Specification

Material	Lamp housing made of aluminum Adapter housing made of PBT/PC 10 GF Lens made of Acrylic
Finish	Grey (RAL 7040) Black (RAL 9005) White (RAL 9016) Custom coating upon request
System	3-phase circuit track
Protection class	IP20
Operating voltage	230V~ 50/60Hz
Power consumption	24W
Beam angles	Interchangeable lenses
Color temperatures	2700K, 3000K, 4000K
Swivels	>365°
Tilts	>90°
Weight	740 g (with adapter)
Features	Phase selector, toolless pan and tilt lock



Light Data

LED Lumen	2000 lm
Luminaire Lumen	930 lm
CRI	95 (Typical 98 CRI)
Red component R9	>80
MacAdam	2-step ellipse (SDCM 2)
TM30-18 Rf	93
TM30-18 Rg	100



Beam angles

Lens:	Narrow		Medium		Wide		
		13°		18°		27°	
	[m]	Ø	Lux	Ø	Lux	Ø	Lux
	1	0,2	12215	0,3	7050	0,5	2503
	2	0,5	3054	0,6	1763	1	626
	3	0,7	1357	0,9	783	1,5	278

Light data from 3000K

SPOTLIGHTS
GADGET L



GADGET L ANALOG

Built-in local dimmer (0-100%)
Slim profile adapter

2700K	<input type="checkbox"/>	GADL27C-AL-1	Gadget L 230V/24W 2700K, Grey	CRI 95, SDCM2, Lens N, 3-phase, dimmer
	<input type="checkbox"/>	GADL27C-AL-2	Gadget L 230V/24W 2700K, Black	CRI 95, SDCM2, Lens N, 3-phase, dimmer
	<input type="checkbox"/>	GADL27C-AL-3	Gadget L 230V/24W 2700K, White	CRI 95, SDCM2, Lens N, 3-phase, dimmer
3000K	<input type="checkbox"/>	GADL30C-AL-1	Gadget L 230V/24W 3000K, Grey	CRI 95, SDCM2, Lens N, 3-phase, dimmer
	<input type="checkbox"/>	GADL30C-AL-2	Gadget L 230V/24W 3000K, Black	CRI 95, SDCM2, Lens N, 3-phase, dimmer
	<input type="checkbox"/>	GADL30C-AL-3	Gadget L 230V/24W 3000K, White	CRI 95, SDCM2, Lens N, 3-phase, dimmer
4000K	<input type="checkbox"/>	GADL40C-AL-1	Gadget L 230V/24W 4000K, Grey	CRI 95, SDCM2, Lens N, 3-phase, dimmer
	<input type="checkbox"/>	GADL40C-AL-2	Gadget L 230V/24W 4000K, Black	CRI 95, SDCM2, Lens N, 3-phase, dimmer
	<input type="checkbox"/>	GADL40C-AL-3	Gadget L 230V/24W 4000K, White	CRI 95, SDCM2, Lens N, 3-phase, dimmer



GADGET L DMX

Wireless DMX via Lumenradio CRMX
Configuration via built-in display
Fits standard 3-phase track
Local dimmer (0-100%)



2700K	<input type="checkbox"/>	GADL27C-AHX-1	Gadget L 230V/24W DMX 2700K, Grey	CRI 95, SDCM2, Lens N, 3-phase, wireless DMX
	<input type="checkbox"/>	GADL27C-AHX-2	Gadget L 230V/24W DMX 2700K, Black	CRI 95, SDCM2, Lens N, 3-phase, wireless DMX
	<input type="checkbox"/>	GADL27C-AHX-3	Gadget L 230V/24W DMX 2700K, White	CRI 95, SDCM2, Lens N, 3-phase, wireless DMX
3000K	<input type="checkbox"/>	GADL30C-AHX-1	Gadget L 230V/24W DMX 3000K, Grey	CRI 95, SDCM2, Lens N, 3-phase, wireless DMX
	<input type="checkbox"/>	GADL30C-AHX-2	Gadget L 230V/24W DMX 3000K, Black	CRI 95, SDCM2, Lens N, 3-phase, wireless DMX
	<input type="checkbox"/>	GADL30C-AHX-3	Gadget L 230V/24W DMX 3000K, White	CRI 95, SDCM2, Lens N, 3-phase, wireless DMX
4000K	<input type="checkbox"/>	GADL40C-AHX-1	Gadget L 230V/24W DMX 4000K, Grey	CRI 95, SDCM2, Lens N, 3-phase, wireless DMX
	<input type="checkbox"/>	GADL40C-AHX-2	Gadget L 230V/24W DMX 4000K, Black	CRI 95, SDCM2, Lens N, 3-phase, wireless DMX
	<input type="checkbox"/>	GADL40C-AHX-3	Gadget L 230V/24W DMX 4000K, White	CRI 95, SDCM2, Lens N, 3-phase, wireless DMX



GADGET L DALI

DALI (Dimming 1-100%).
Equipped with a DALI driver for Global Trac PULSE track



2700K	<input type="checkbox"/>	GADL27C-AHD-1	Gadget L 230V/24W DALI 2700K, Grey	CRI 95, SDCM2, Lens N, 3-phase, PULSE DALI
	<input type="checkbox"/>	GADL27C-AHD-2	Gadget L 230V/24W DALI 2700K, Black	CRI 95, SDCM2, Lens N, 3-phase, PULSE DALI
	<input type="checkbox"/>	GADL27C-AHD-3	Gadget L 230V/24W DALI 2700K, White	CRI 95, SDCM2, Lens N, 3-phase, PULSE DALI
3000K	<input type="checkbox"/>	GADL30C-AHD-1	Gadget L 230V/24W DALI 3000K, Grey	CRI 95, SDCM2, Lens N, 3-phase, PULSE DALI
	<input type="checkbox"/>	GADL30C-AHD-2	Gadget L 230V/24W DALI 3000K, Black	CRI 95, SDCM2, Lens N, 3-phase, PULSE DALI
	<input type="checkbox"/>	GADL30C-AHD-3	Gadget L 230V/24W DALI 3000K, White	CRI 95, SDCM2, Lens N, 3-phase, PULSE DALI
4000K	<input type="checkbox"/>	GADL40C-AHD-1	Gadget L 230V/24W DALI 4000K, Grey	CRI 95, SDCM2, Lens N, 3-phase, PULSE DALI
	<input type="checkbox"/>	GADL40C-AHD-2	Gadget L 230V/24W DALI 4000K, Black	CRI 95, SDCM2, Lens N, 3-phase, PULSE DALI
	<input type="checkbox"/>	GADL40C-AHD-3	Gadget L 230V/24W DALI 4000K, White	CRI 95, SDCM2, Lens N, 3-phase, PULSE DALI



GADGET L CASAMBI

Fixture is configured using the Casambi app
Fits most known 3-phase tracks

2700K	<input checked="" type="checkbox"/>	GADL27C-AHC-1	Gadget L 230V/24W Casambi 2700K, Grey	CRI 95, SDCM2, Lens N, 3-phase
	<input checked="" type="checkbox"/>	GADL27C-AHC-2	Gadget L 230V/24W Casambi 2700K, Black	CRI 95, SDCM2, Lens N, 3-phase
	<input type="checkbox"/>	GADL27C-AHC-3	Gadget L 230V/24W Casambi 2700K, White	CRI 95, SDCM2, Lens N, 3-phase
3000K	<input checked="" type="checkbox"/>	GADL30C-AHC-1	Gadget L 230V/24W Casambi 3000K, Grey	CRI 95, SDCM2, Lens N, 3-phase
	<input checked="" type="checkbox"/>	GADL30C-AHC-2	Gadget L 230V/24W Casambi 3000K, Black	CRI 95, SDCM2, Lens N, 3-phase
	<input type="checkbox"/>	GADL30C-AHC-3	Gadget L 230V/24W Casambi 3000K, White	CRI 95, SDCM2, Lens N, 3-phase
4000K	<input checked="" type="checkbox"/>	GADL40C-AHC-1	Gadget L 230V/24W Casambi 4000K, Grey	CRI 95, SDCM2, Lens N, 3-phase
	<input checked="" type="checkbox"/>	GADL40C-AHC-2	Gadget L 230V/24W Casambi 4000K, Black	CRI 95, SDCM2, Lens N, 3-phase
	<input type="checkbox"/>	GADL40C-AHC-3	Gadget L 230V/24W Casambi 4000K, White	CRI 95, SDCM2, Lens N, 3-phase



GADGET L CC SOLO

No driver / adapter included
Operated by external LED driver, max 600 mA / 22W, Vf = 36V

2700K	<input checked="" type="checkbox"/>	GADL27C-CCS-1	Gadget L CC/600mA Solo 2700K, Grey	Vf=36V, 600mA, CRI 95, SDCM2, Lens N, 1m cable
	<input checked="" type="checkbox"/>	GADL27C-CCS-2	Gadget L CC/600mA Solo 2700K, Black	Vf=36V, 600mA, CRI 95, SDCM2, Lens N, 1m cable
	<input type="checkbox"/>	GADL27C-CCS-3	Gadget L CC/600mA Solo 2700K, White	Vf=36V, 600mA, CRI 95, SDCM2, Lens N, 1m cable
3000K	<input checked="" type="checkbox"/>	GADL30C-CCS-1	Gadget L CC/600mA Solo 3000K, Grey	Vf=36V, 600mA, CRI 95, SDCM2, Lens N, 1m cable
	<input checked="" type="checkbox"/>	GADL30C-CCS-2	Gadget L CC/600mA Solo 3000K, Black	Vf=36V, 600mA, CRI 95, SDCM2, Lens N, 1m cable
	<input type="checkbox"/>	GADL30C-CCS-3	Gadget L CC/600mA Solo 3000K, White	Vf=36V, 600mA, CRI 95, SDCM2, Lens N, 1m cable
4000K	<input checked="" type="checkbox"/>	GADL40C-CCS-1	Gadget L CC/600mA Solo 4000K, Grey	Vf=36V, 600mA, CRI 95, SDCM2, Lens N, 1m cable
	<input checked="" type="checkbox"/>	GADL40C-CCS-2	Gadget L CC/600mA Solo 4000K, Black	Vf=36V, 600mA, CRI 95, SDCM2, Lens N, 1m cable
	<input type="checkbox"/>	GADL40C-CCS-3	Gadget L CC/600mA Solo 4000K, White	Vf=36V, 600mA, CRI 95, SDCM2, Lens N, 1m cable

gizmo

Gizmo is designed to discretely illuminate objects in museum display cases



Interchangeable lenses

Gizmo has been a proud servant in museums all over Scandinavia for over 10 years. Over the years, it has been constantly improved to meet lighting designers expectations of a high-quality fixture.

The benefits

- Optics (lenses) can be interchanged without tools
- Available in many variations

Choose the system that fits your needs.

	Pico Trac	LED Profile
Article	PT	CCL
Function	Integrated manual dimmer 0-100%	No local dimmer External dimming possible
Compatibility	12V DC	700 mA

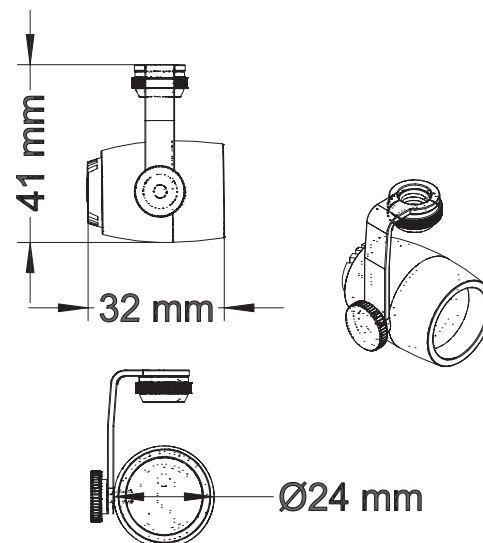
Gizmo Specification

Material	Lamp housing made of aluminum Yoke and details made of steel Lens made of polycarbonate
Finish	Grey (RAL 7040) Black (RAL 9005) White (RAL 9016) Brass
System	Pico Trac LED profile
Protection class	IP20
Operating	12V DC/CC
Power consumption	2,1W/3W
Beam angle	Interchangeable lenses
Color temperatures	2200K, 2700K, 3000K, 4000K
Swivels	>365°
Tilts	>90°
Weight	50 g
Features	Toolless pan and tilt lock
Optional accessories	Snoot, Magnet, Ceiling cup



Light Data

LED Lumen	300 lm
Luminaire Lumen	150 lm
CRI	90
Red component R9	>60
MacAdam	3-step ellipse (SDCM 3)
TM30-18 Rf	92
TM30-18 Rg	104



Beam angles

Lens:	Narrow		Medium		Wide		Elliptical	
	12,6°		20,6°		23,3°		45 x 9°	
[m]	Ø	Lux	Ø	Lux	Ø	Lux	Ø	Lux
1	0,2	2270	0,4	714	0,4	529	0,5	941
2	0,4	567	0,7	179	0,8	132	1	235
3	0,7	252	1,1	79	1,2	59	1,4	105

Light data from 3000K

SPOTLIGHTS
GIZMO



GIZMO / PICO TRAC

Built-in local dimmer (0-100%)
Fits Pico Trac

2200K		GIZ22-PT-1	Gizmo 12V DC/3W Pico Trac 2200K, Grey	CRI 80, lens N, dimmer
		GIZ22-PT-2	Gizmo 12V DC/3W Pico Trac 2200K, Black	CRI 80, lens N, dimmer
		GIZ22-PT-3	Gizmo 12V DC/3W Pico Trac 2200K, White	CRI 80, lens N, dimmer
		GIZ22-PT-4	Gizmo 12V DC/3W Pico Trac 2200K, Brass	CRI 80, lens N, dimmer
2700K		GIZ27-PT-1	Gizmo 12V DC/3W Pico Trac 2700K, Grey	CRI 90, lens N, dimmer
		GIZ27-PT-2	Gizmo 12V DC/3W Pico Trac 2700K, Black	CRI 90, lens N, dimmer
		GIZ27-PT-3	Gizmo 12V DC/3W Pico Trac 2700K, White	CRI 90, lens N, dimmer
		GIZ27-PT-4	Gizmo 12V DC/3W Pico Trac 2700K, Brass	CRI 90, lens N, dimmer
3000K		GIZ30-PT-1	Gizmo 12V DC/3W Pico Trac 3000K, Grey	CRI 90, lens N, dimmer
		GIZ30-PT-2	Gizmo 12V DC/3W Pico Trac 3000K, Black	CRI 90, lens N, dimmer
		GIZ30-PT-3	Gizmo 12V DC/3W Pico Trac 3000K, White	CRI 90, lens N, dimmer
		GIZ30-PT-4	Gizmo 12V DC/3W Pico Trac 3000K, Brass	CRI 90, lens N, dimmer
4000K		GIZ40-PT-1	Gizmo 12V DC/3W Pico Trac 4000K, Grey	CRI 90, lens N, dimmer
		GIZ40-PT-2	Gizmo 12V DC/3W Pico Trac 4000K, Black	CRI 90, lens N, dimmer
		GIZ40-PT-3	Gizmo 12V DC/3W Pico Trac 4000K, White	CRI 90, lens N, dimmer
		GIZ40-PT-4	Gizmo 12V DC/3W Pico Trac 4000K, Brass	CRI 90, lens N, dimmer



GIZMO / CCL

For LED Profile
Operated by external LED driver, max 700 mA / 2,1W, Vf = 3V

2200K		GIZ22-CCL-1	Gizmo CC/700mA LED Profile 2200K, Grey	Vf=3V, 700mA, CRI 80, lens N
		GIZ22-CCL-2	Gizmo CC/700mA LED Profile 2200K, Black	Vf=3V, 700mA, CRI 80, lens N
		GIZ22-CCL-3	Gizmo CC/700mA LED Profile 2200K, White	Vf=3V, 700mA, CRI 80, lens N
		GIZ22-CCL-4	Gizmo CC/700mA LED Profile 2200K, Brass	Vf=3V, 700mA, CRI 80, lens N
2700K		GIZ27-CCL-1	Gizmo CC/700mA LED Profile 2700K, Grey	Vf=3V, 700mA, CRI 90, lens N
		GIZ27-CCL-2	Gizmo CC/700mA LED Profile 2700K, Black	Vf=3V, 700mA, CRI 90, lens N
		GIZ27-CCL-3	Gizmo CC/700mA LED Profile 2700K, White	Vf=3V, 700mA, CRI 90, lens N
		GIZ27-CCL-4	Gizmo CC/700mA LED Profile 2700K, Brass	Vf=3V, 700mA, CRI 90, lens N
3000K		GIZ30-CCL-1	Gizmo CC/700mA LED Profile 3000K, Grey	Vf=3V, 700mA, CRI 90, lens N
		GIZ30-CCL-2	Gizmo CC/700mA LED Profile 3000K, Black	Vf=3V, 700mA, CRI 90, lens N
		GIZ30-CCL-3	Gizmo CC/700mA LED Profile 3000K, White	Vf=3V, 700mA, CRI 90, lens N
		GIZ30-CCL-4	Gizmo CC/700mA LED Profile 3000K, Brass	Vf=3V, 700mA, CRI 90, lens N
4000K		GIZ40-CCL-1	Gizmo CC/700mA LED Profile 4000K, Grey	Vf=3V, 700mA, CRI 90, lens N
		GIZ40-CCL-2	Gizmo CC/700mA LED Profile 4000K, Black	Vf=3V, 700mA, CRI 90, lens N
		GIZ40-CCL-3	Gizmo CC/700mA LED Profile 4000K, White	Vf=3V, 700mA, CRI 90, lens N
		GIZ40-CCL-4	Gizmo CC/700mA LED Profile 4000K, Brass	Vf=3V, 700mA, CRI 90, lens N



GIZMO / CCS

No driver / adapter included

Operated by external LED driver, max 700 mA / 2,1W, Vf = 3V

2200K	<input type="checkbox"/>	GIZ22-CCS-1	Gizmo CC/700mA Solo 2200K, Grey	Vf=3V, 700mA, CRI 80, lens N, 1m cable
	<input type="checkbox"/>	GIZ22-CCS-2	Gizmo CC/700mA Solo 2200K, Black	Vf=3V, 700mA, CRI 80, lens N, 1m cable
	<input type="checkbox"/>	GIZ22-CCS-3	Gizmo CC/700mA Solo 2200K, White	Vf=3V, 700mA, CRI 80, lens N, 1m cable
	<input type="checkbox"/>	GIZ22-CCS-4	Gizmo CC/700mA Solo 2200K, Brass	Vf=3V, 700mA, CRI 80, lens N, 1m cable
2700K	<input type="checkbox"/>	GIZ27-CCS-1	Gizmo CC/700mA Solo 2700K, Grey	Vf=3V, 700mA, CRI 90, lens N, 1m cable
	<input type="checkbox"/>	GIZ27-CCS-2	Gizmo CC/700mA Solo 2700K, Black	Vf=3V, 700mA, CRI 90, lens N, 1m cable
	<input type="checkbox"/>	GIZ27-CCS-3	Gizmo CC/700mA Solo 2700K, White	Vf=3V, 700mA, CRI 90, lens N, 1m cable
	<input type="checkbox"/>	GIZ27-CCS-4	Gizmo CC/700mA Solo 2700K, Brass	Vf=3V, 700mA, CRI 90, lens N, 1m cable
3000K	<input type="checkbox"/>	GIZ30-CCS-1	Gizmo CC/700mA Solo 3000K, Grey	Vf=3V, 700mA, CRI 90, lens N, 1m cable
	<input type="checkbox"/>	GIZ30-CCS-2	Gizmo CC/700mA Solo 3000K, Black	Vf=3V, 700mA, CRI 90, lens N, 1m cable
	<input type="checkbox"/>	GIZ30-CCS-3	Gizmo CC/700mA Solo 3000K, White	Vf=3V, 700mA, CRI 90, lens N, 1m cable
	<input type="checkbox"/>	GIZ30-CCS-4	Gizmo CC/700mA Solo 3000K, Brass	Vf=3V, 700mA, CRI 90, lens N, 1m cable
4000K	<input type="checkbox"/>	GIZ40-CCS-1	Gizmo CC/700mA Solo 4000K, Grey	Vf=3V, 700mA, CRI 90, lens N, 1m cable
	<input type="checkbox"/>	GIZ40-CCS-2	Gizmo CC/700mA Solo 4000K, Black	Vf=3V, 700mA, CRI 90, lens N, 1m cable
	<input type="checkbox"/>	GIZ40-CCS-3	Gizmo CC/700mA Solo 4000K, White	Vf=3V, 700mA, CRI 90, lens N, 1m cable
	<input type="checkbox"/>	GIZ40-CCS-4	Gizmo CC/700mA Solo 4000K, Brass	Vf=3V, 700mA, CRI 90, lens N, 1m cable

GIZMO SNOOTS

Extended glare protection for Gizmo fixtures

Length is 25 mm

<input type="checkbox"/>	GIZ-B25-1	Gizmo Snoot, Grey
<input type="checkbox"/>	GIZ-B25-2	Gizmo Snoot, Black
<input type="checkbox"/>	GIZ-B25-3	Gizmo Snoot, White
<input type="checkbox"/>	GIZ-B25-4	Gizmo Snoot, Brass

GIZMO LENSES

Lenses for Gizmo fixture

<input type="checkbox"/>	GIZ-L-VN	Gizmo Lens Very Narrow
<input type="checkbox"/>	GIZ-L-N	Gizmo Lens Narrow
<input type="checkbox"/>	GIZ-L-M	Gizmo Lens Medium
<input type="checkbox"/>	GIZ-L-W	Gizmo Lens Wide
<input type="checkbox"/>	GIZ-L-E	Gizmo Lens Elliptical



gizmo ZOOM

Gizmo Zoom is equipped with an adjustable
PC lens of high quality



Beam angle is changed easily by rotating the front. Gizmo Zoom is really useful when you need to pin point or enhance smaller objects.

The benefits

- Easy to use zoom function
- Available in many variations

Choose the system that fits your needs.

	Pico Trac	LED Profile
Article	PT	CCL
Function	Integrated manual dimmer 0-100%	No local dimmer External dimming possible
Compatibility	12V DC	700 mA

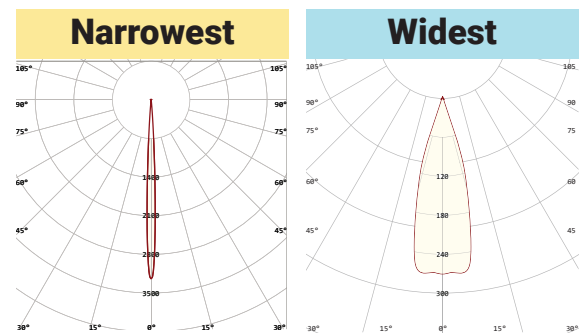
Gizmo Zoom Specification

Material	Lamp housing made of aluminum Yoke and details made of steel Anti-reflective lens made of glass
Finish	Grey (RAL 7040) Black (RAL 9005) White (RAL 9016) Brass
System	Pico Trac LED profile
Protection class	IP20
Operating	12V DC/CC
Power consumption	2,1W/3W
Beam angle	Adjustable 5–31°
Color temperatures	2200K, 2700K, 3000K, 4000K
Swivels	>365°
Tilts	>90°
Weight	50 g
Features	Toolless pan and tilt lock
Optional accessories	Snoot, Magnet, Ceiling cup



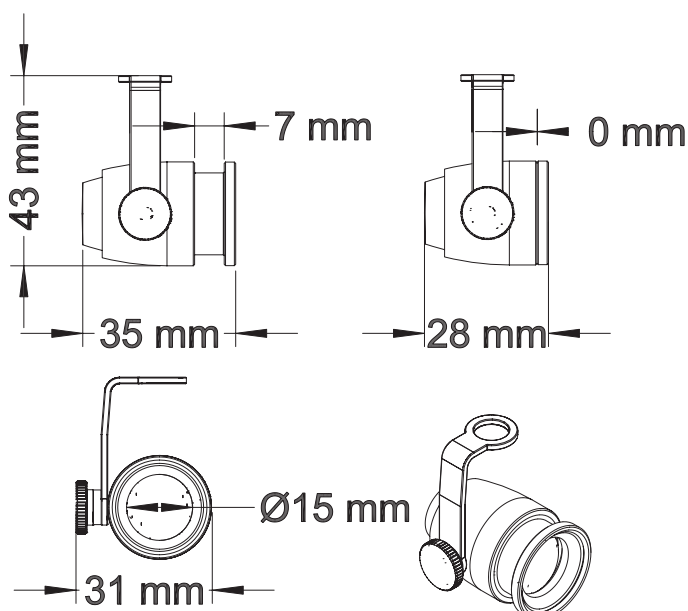
Light Data

LED Lumen	300 lm
Luminaire Lumen	80 lm
CRI	90
Red component R9	>60
MacAdam	3-step ellipse (SDCM 3)
TM30-18 Rf	95
TM30-18 Rg	100



	[m]	∅	Lux	∅	Lux
	1	0,1	3236	0,6	269
	2	0,2	809	1,1	67
	3	0,3	360	1,7	30
		Cut off	11,7	Cut off	48,8
		Field angle	9,1	Field angle	45,1
		Beam angle	5	Beam angle	31,7

Light data from 3000K



SPOTLIGHTS
GIZMO ZOOM



GIZMO ZOOM / PICO TRAC

Built-in local dimmer (0-100%)

Fits Pico Trac

2200K		GIZZ22-PT-1	Gizmo Zoom 12V DC/3W Pico Trac 2200K, Grey	CRI 80, 5-31°, dimmer
		GIZZ22-PT-2	Gizmo Zoom 12V DC/3W Pico Trac 2200K, Black	CRI 80, 5-31°, dimmer
		GIZZ22-PT-3	Gizmo Zoom 12V DC/3W Pico Trac 2200K, White	CRI 80, 5-31°, dimmer
		GIZZ22-PT-4	Gizmo Zoom 12V DC/3W Pico Trac 2200K, Brass	CRI 80, 5-31°, dimmer
2700K		GIZZ27-PT-1	Gizmo Zoom 12V DC/3W Pico Trac 2700K, Grey	CRI 90, 5-31°, dimmer
		GIZZ27-PT-2	Gizmo Zoom 12V DC/3W Pico Trac 2700K, Black	CRI 90, 5-31°, dimmer
		GIZZ27-PT-3	Gizmo Zoom 12V DC/3W Pico Trac 2700K, White	CRI 90, 5-31°, dimmer
		GIZZ27-PT-4	Gizmo Zoom 12V DC/3W Pico Trac 2700K, Brass	CRI 90, 5-31°, dimmer
3000K		GIZZ30-PT-1	Gizmo Zoom 12V DC/3W Pico Trac 3000K, Grey	CRI 90, 5-31°, dimmer
		GIZZ30-PT-2	Gizmo Zoom 12V DC/3W Pico Trac 3000K, Black	CRI 90, 5-31°, dimmer
		GIZZ30-PT-3	Gizmo Zoom 12V DC/3W Pico Trac 3000K, White	CRI 90, 5-31°, dimmer
		GIZZ30-PT-4	Gizmo Zoom 12V DC/3W Pico Trac 3000K, Brass	CRI 90, 5-31°, dimmer
4000K		GIZZ40-PT-1	Gizmo Zoom 12V DC/3W Pico Trac 4000K, Grey	CRI 90, 5-31°, dimmer
		GIZZ40-PT-2	Gizmo Zoom 12V DC/3W Pico Trac 4000K, Black	CRI 90, 5-31°, dimmer
		GIZZ40-PT-3	Gizmo Zoom 12V DC/3W Pico Trac 4000K, White	CRI 90, 5-31°, dimmer
		GIZZ40-PT-4	Gizmo Zoom 12V DC/3W Pico Trac 4000K, Brass	CRI 90, 5-31°, dimmer



GIZMO ZOOM / CCL

For LED Profile

Operated by external LED driver, max 700 mA / 2,1W, Vf = 3V

2200K		GIZZ22-CCL-1	Gizmo Zoom CC/700mA LED Profile 2200K, Grey	Vf=3V, 700mA, CRI 80, 5-31°
		GIZZ22-CCL-2	Gizmo Zoom CC/700mA LED Profile 2200K, Black	Vf=3V, 700mA, CRI 80, 5-31°
		GIZZ22-CCL-3	Gizmo Zoom CC/700mA LED Profile 2200K, White	Vf=3V, 700mA, CRI 80, 5-31°
		GIZZ22-CCL-4	Gizmo Zoom CC/700mA LED Profile 2200K, Brass	Vf=3V, 700mA, CRI 80, 5-31°
2700K		GIZZ27-CCL-1	Gizmo Zoom CC/700mA LED Profile 2700K, Grey	Vf=3V, 700mA, CRI 90, 5-31°
		GIZZ27-CCL-2	Gizmo Zoom CC/700mA LED Profile 2700K, Black	Vf=3V, 700mA, CRI 90, 5-31°
		GIZZ27-CCL-3	Gizmo Zoom CC/700mA LED Profile 2700K, White	Vf=3V, 700mA, CRI 90, 5-31°
		GIZZ27-CCL-4	Gizmo Zoom CC/700mA LED Profile 2700K, Brass	Vf=3V, 700mA, CRI 90, 5-31°
3000K		GIZZ30-CCL-1	Gizmo Zoom CC/700mA LED Profile 3000K, Grey	Vf=3V, 700mA, CRI 90, 5-31°
		GIZZ30-CCL-2	Gizmo Zoom CC/700mA LED Profile 3000K, Black	Vf=3V, 700mA, CRI 90, 5-31°
		GIZZ30-CCL-3	Gizmo Zoom CC/700mA LED Profile 3000K, White	Vf=3V, 700mA, CRI 90, 5-31°
		GIZZ30-CCL-4	Gizmo Zoom CC/700mA LED Profile 3000K, Brass	Vf=3V, 700mA, CRI 90, 5-31°
4000K		GIZZ40-CCL-1	Gizmo Zoom CC/700mA LED Profile 4000K, Grey	Vf=3V, 700mA, CRI 90, 5-31°
		GIZZ40-CCL-2	Gizmo Zoom CC/700mA LED Profile 4000K, Black	Vf=3V, 700mA, CRI 90, 5-31°
		GIZZ40-CCL-3	Gizmo Zoom CC/700mA LED Profile 4000K, White	Vf=3V, 700mA, CRI 90, 5-31°
		GIZZ40-CCL-4	Gizmo Zoom CC/700mA LED Profile 4000K, Brass	Vf=3V, 700mA, CRI 90, 5-31°



GIZMO ZOOM / CCS

No driver / adapter included

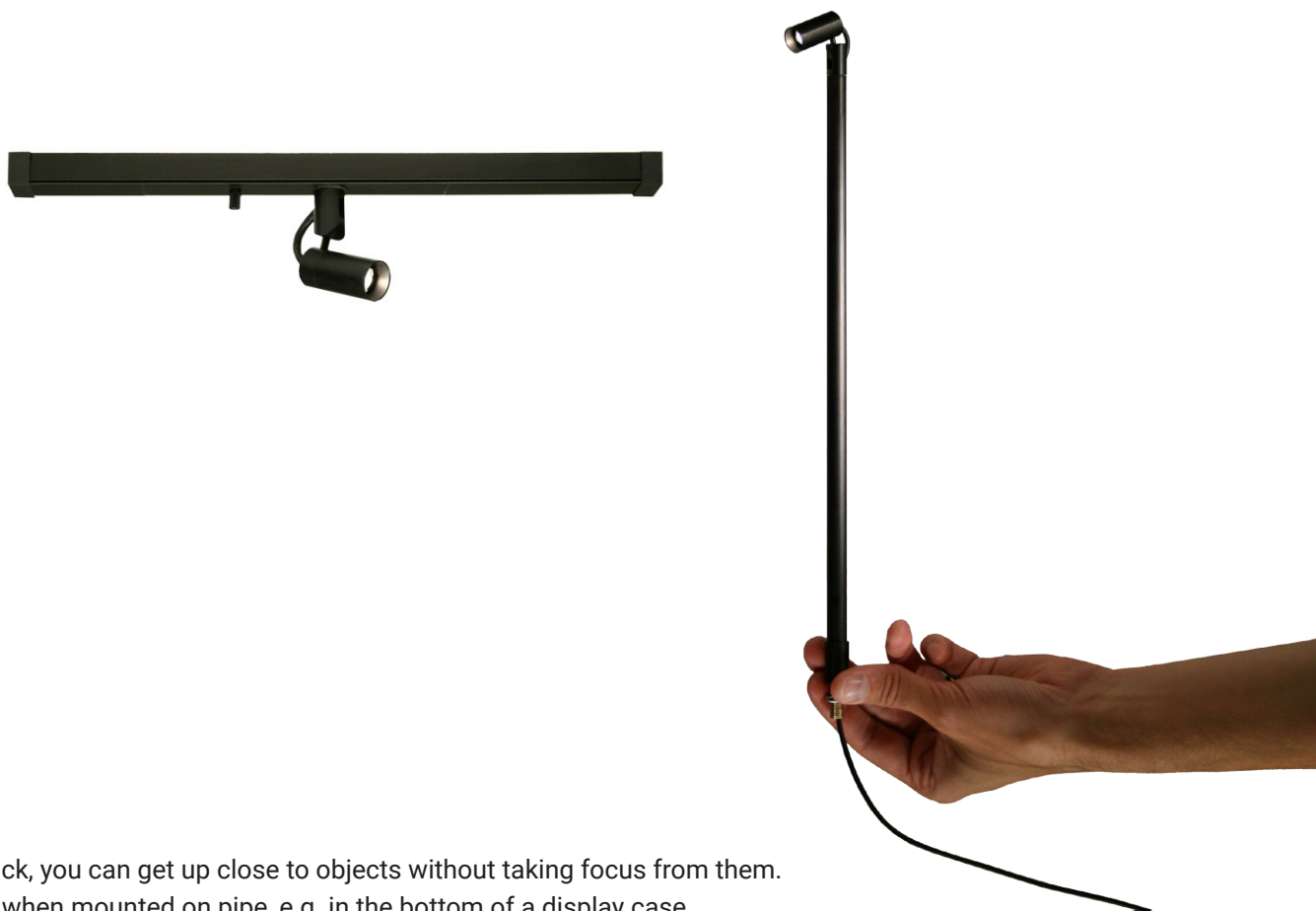
Operated by external LED driver, max 700 mA / 2,1W, Vf = 3V

2200K		GIZZ22-CCS-1	Gizmo Zoom CC/700mA Solo 2200K, Grey	Vf=3V, 700mA, CRI 80, 5-31°, 1m cable
		GIZZ22-CCS-2	Gizmo Zoom CC/700mA Solo 2200K, Black	Vf=3V, 700mA, CRI 80, 5-31°, 1m cable
		GIZZ22-CCS-3	Gizmo Zoom CC/700mA Solo 2200K, White	Vf=3V, 700mA, CRI 80, 5-31°, 1m cable
		GIZZ22-CCS-4	Gizmo Zoom CC/700mA Solo 2200K, Brass	Vf=3V, 700mA, CRI 80, 5-31°, 1m cable
2700K		GIZZ27-CCS-1	Gizmo Zoom CC/700mA Solo 2700K, Grey	Vf=3V, 700mA, CRI 90, 5-31°, 1m cable
		GIZZ27-CCS-2	Gizmo Zoom CC/700mA Solo 2700K, Black	Vf=3V, 700mA, CRI 90, 5-31°, 1m cable
		GIZZ27-CCS-3	Gizmo Zoom CC/700mA Solo 2700K, White	Vf=3V, 700mA, CRI 90, 5-31°, 1m cable
		GIZZ27-CCS-4	Gizmo Zoom CC/700mA Solo 2700K, Brass	Vf=3V, 700mA, CRI 90, 5-31°, 1m cable
3000K		GIZZ30-CCS-1	Gizmo Zoom CC/700mA Solo 3000K, Grey	Vf=3V, 700mA, CRI 90, 5-31°, 1m cable
		GIZZ30-CCS-2	Gizmo Zoom CC/700mA Solo 3000K, Black	Vf=3V, 700mA, CRI 90, 5-31°, 1m cable
		GIZZ30-CCS-3	Gizmo Zoom CC/700mA Solo 3000K, White	Vf=3V, 700mA, CRI 90, 5-31°, 1m cable
		GIZZ30-CCS-4	Gizmo Zoom CC/700mA Solo 3000K, Brass	Vf=3V, 700mA, CRI 90, 5-31°, 1m cable
4000K		GIZZ40-CCS-1	Gizmo Zoom CC/700mA Solo 4000K, Grey	Vf=3V, 700mA, CRI 90, 5-31°, 1m cable
		GIZZ40-CCS-2	Gizmo Zoom CC/700mA Solo 4000K, Black	Vf=3V, 700mA, CRI 90, 5-31°, 1m cable
		GIZZ40-CCS-3	Gizmo Zoom CC/700mA Solo 4000K, White	Vf=3V, 700mA, CRI 90, 5-31°, 1m cable
		GIZZ40-CCS-4	Gizmo Zoom CC/700mA Solo 4000K, Brass	Vf=3V, 700mA, CRI 90, 5-31°, 1m cable



gimmick

Gimmick has a minimal design and is well-suited for display case lighting



With Gimmick, you can get up close to objects without taking focus from them. Very subtle when mounted on pipe, e.g. in the bottom of a display case.

The benefits

- Extremely small and easy to use
- Can be mounted on a pipe

Choose the version that fits your needs.

	Pico Trac	LED Profile	Rod
Article	PT	CCL	CCR
Function	Integrated manual dimmer 0-100%	No local dimmer External dimming possible	Mounting on pipes
Compatibility	12V DC	350 mA	350 mA

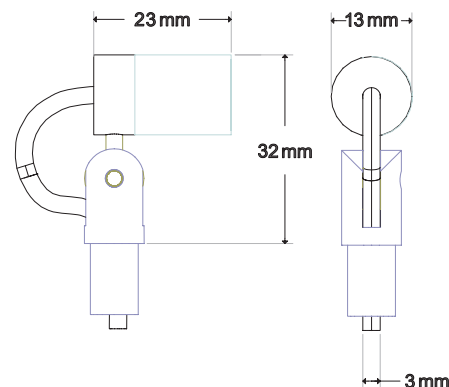
Gimmick Specification

Material	Lamp housing made of aluminum Lens of made of polycarbonate
Finish	Grey (natural anodized) Black (anodized) Brass
System	Pico Trac LED profile Pipe mounting
Protection class	IP20
Operating	12V DC/CC
Power consumption	1W/2W
Beam angle	Interchangeable lenses
Color temperatures	2700K, 3000K, 4000K
Swivels	>365°
Tilts	>90°
Weight	30 g
Features	Toolless pan and tilt lock
Optional accessories	Snoot

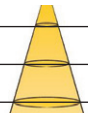




Light Data

LED Lumen	120 lm
Luminaire Lumen	60 lm
CRI	90
Red component R9	>60
MacAdam	3-step ellipse (SDCM 3)
TM30-18 Rf	93
TM30-18 Rg	103



Beam angles

Lens:	Narrow		Medium		Wide		Very Wide		
	16,9°		24,2°		29,7°		69,8°		
	[m]	∅	Lux	∅	Lux	∅	Lux	∅	Lux
	1	0,3	338	0,4	265	0,5	225	1,4	51
	2	0,6	85	0,9	66	1,1	56	2,8	13
	3	0,9	38	1,3	29	1,6	25	4,2	6

Light data from 3000K

SPOTLIGHTS GIMMICK



GIMMICK / PICO TRAC

Built-in local dimmer (0-100%)
Fits Pico Trac

2700K		GIM27-PT-1	Gimmick 12V DC/2W Pico Trac 2700K, Grey	CRI 90, lens W, dimmer
		GIM27-PT-2	Gimmick 12V DC/2W Pico Trac 2700K, Black	CRI 90, lens W, dimmer
3000K		GIM30-PT-1	Gimmick 12V DC/2W Pico Trac 3000K, Grey	CRI 90, lens W, dimmer
		GIM30-PT-2	Gimmick 12V DC/2W Pico Trac 3000K, Black	CRI 90, lens W, dimmer
4000K		GIM40-PT-1	Gimmick 12V DC/2W Pico Trac 4000K, Grey	CRI 90, lens W, dimmer
		GIM40-PT-2	Gimmick 12V DC/2W Pico Trac 4000K, Black	CRI 90, lens W, dimmer



GIMMICK / CCL

For LED Profile
Operated by external LED driver, max 350 mA / 2W, Vf = 3V

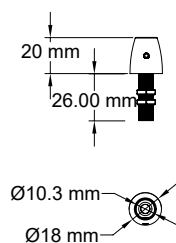
2700K		GIM27-CCL-1	Gimmick CC/350mA LED Profile 2700K, Grey	Vf=3V, CRI 90, lens W
		GIM27-CCL-2	Gimmick CC/350mA LED Profile 2700K, Black	Vf=3V, CRI 90, lens W
3000K		GIM30-CCL-1	Gimmick CC/350mA LED Profile 3000K, Grey	Vf=3V, CRI 90, lens W
		GIM30-CCL-2	Gimmick CC/350mA LED Profile 3000K, Black	Vf=3V, CRI 90, lens W
4000K		GIM40-CCL-1	Gimmick CC/350mA LED Profile 4000K, Grey	Vf=3V, CRI 90, lens W
		GIM40-CCL-2	Gimmick CC/350mA LED Profile 4000K, Black	Vf=3V, CRI 90, lens W



GIMMICK / ROD







Installation on 10mm pipes
Operated by external LED driver, max 350 mA / 1W, Vf = 3V
To get a complete unit, you need 1 fixture, 1 foot, 1 rod.

2700K		GIM27-CCR-1	Gimmick CC/350mA Rod 2700K, Grey	Vf=3V, CRI 90, lens W, 1.5m cable
		GIM27-CCR-2	Gimmick CC/350mA Rod 2700K, Black	Vf=3V, CRI 90, lens W, 1.5m cable
		GIM27-CCR-4	Gimmick CC/350mA Rod 2700K, Brass	Vf=3V, CRI 90, lens W, 1.5m cable
3000K		GIM30-CCR-1	Gimmick CC/350mA Rod 3000K, Grey	Vf=3V, CRI 90, lens W, 1.5m cable
		GIM30-CCR-2	Gimmick CC/350mA Rod 3000K, Black	Vf=3V, CRI 90, lens W, 1.5m cable
		GIM30-CCR-4	Gimmick CC/350mA Rod 3000K, Brass	Vf=3V, CRI 90, lens W, 1.5m cable
4000K		GIM40-CCR-1	Gimmick CC/350mA Rod 4000K, Grey	Vf=3V, CRI 90, lens W, 1.5m cable
		GIM40-CCR-2	Gimmick CC/350mA Rod 4000K, Black	Vf=3V, CRI 90, lens W, 1.5m cable
		GIM40-CCR-4	Gimmick CC/350mA Rod 4000K, Brass	Vf=3V, CRI 90, lens W, 1.5m cable



GIMMICK ROD ACCESSORIES

Rod is delivered in pre-cut lengths up to 650 mm

	GIM-RM-1	Rod 50-650mm, Grey	Ø10mm rod
	GIM-RM-2	Rod 50-650mm, Black	Ø10mm rod
	GIM-RM-4	Rod 50-650mm, Brass	Ø10mm rod
	GIM-RF-1	Mounting foot, Grey	For 10mm rod, M8
	GIM-RF-2	Mounting foot, Black	For 10mm rod, M8
	GIM-RF-4	Mounting foot, Brass	For 10mm rod, M8



GIMMICK LENSES

Lenses for Gimmick

<input type="checkbox"/>	GIZ-L-N	Gizmo Lens Narrow
<input type="checkbox"/>	GIZ-L-M	Gizmo Lens Medium
<input type="checkbox"/>	GIZ-L-W	Gizmo Lens Wide
<input type="checkbox"/>	GIZ-L-VW	Gizmo Lens Very Wide
<input type="checkbox"/>	GIZ-L-E	Gizmo Lens Elliptical

GIMMICK SNOOTS

Extended glare protection for Gimmick
Length is 26 mm

	GIM-B26-1	Gimmick Snoot, Grey
	GIM-B26-2	Gimmick Snoot, Black

gizmo DOWNLIGHTS

Small, recessed and classy



Gizmo Downlights can be used in many cases when lighting tracks are not a viable solution. Widely used as orientation lighting in museums, corridors or in private homes. As with all other Gizmo fixtures, lenses can be changed.

The benefits

- Standardized connectors for easy installation
- Comes in both fixed and adjustable version

Gizmo Downlight Specification

Material	Aluminum
Finish	Grey (RAL 7040) Black (RAL 9005) White (RAL 9016) Brass
Protection class	IP20
Operating voltage	Vf=3V
Current	Max 700 mA
Power consumption	2,1W
Beam angle	Interchangeable lenses
Weight	40 g / 80 g





GIZMO DOWNLIGHT FIXED

Comes with 1m cable

Operated by external LED driver, max 700 mA / 2W, Vf = 3V

2700K		GIZ27-CCDL-1	Gizmo CC/700mA Downlight Fix 2700K, Grey	Vf=3V ,700 mA, CRI 90, lens N, 1m cable
		GIZ27-CCDL-2	Gizmo CC/700mA Downlight Fix 2700K, Black	Vf=3V ,700 mA, CRI 90, lens N, 1m cable
		GIZ27-CCDL-3	Gizmo CC/700mA Downlight Fix 2700K, White	Vf=3V ,700 mA, CRI 90, lens N, 1m cable
		GIZ27-CCDL-4	Gizmo CC/700mA Downlight Fix 2700K, Brass	Vf=3V ,700 mA, CRI 90, lens N, 1m cable
3000K		GIZ30-CCDL-1	Gizmo CC/700mA Downlight Fix 3000K, Grey	Vf=3V ,700 mA, CRI 90, lens N, 1m cable
		GIZ30-CCDL-2	Gizmo CC/700mA Downlight Fix 3000K, Black	Vf=3V ,700 mA, CRI 90, lens N, 1m cable
		GIZ30-CCDL-3	Gizmo CC/700mA Downlight Fix 3000K, White	Vf=3V ,700 mA, CRI 90, lens N, 1m cable
		GIZ30-CCDL-4	Gizmo CC/700mA Downlight Fix 3000K, Brass	Vf=3V ,700 mA, CRI 90, lens N, 1m cable
4000K		GIZ40-CCDL-1	Gizmo CC/700mA Downlight Fix 4000K, Grey	Vf=3V ,700 mA, CRI 90, lens N, 1m cable
		GIZ40-CCDL-2	Gizmo CC/700mA Downlight Fix 4000K, Black	Vf=3V ,700 mA, CRI 90, lens N, 1m cable
		GIZ40-CCDL-3	Gizmo CC/700mA Downlight Fix 4000K, White	Vf=3V ,700 mA, CRI 90, lens N, 1m cable
		GIZ40-CCDL-4	Gizmo CC/700mA Downlight Fix 4000K, Brass	Vf=3V ,700 mA, CRI 90, lens N, 1m cable



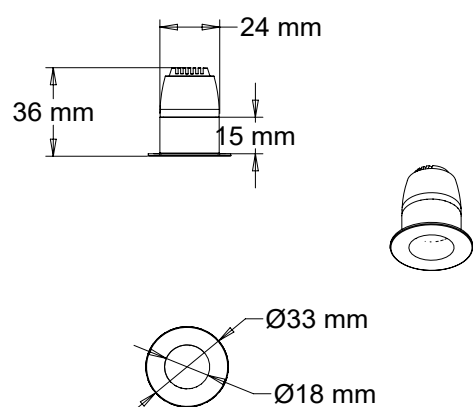
GIZMO DOWNLIGHT ADJUSTABLE

Comes with 1m cable

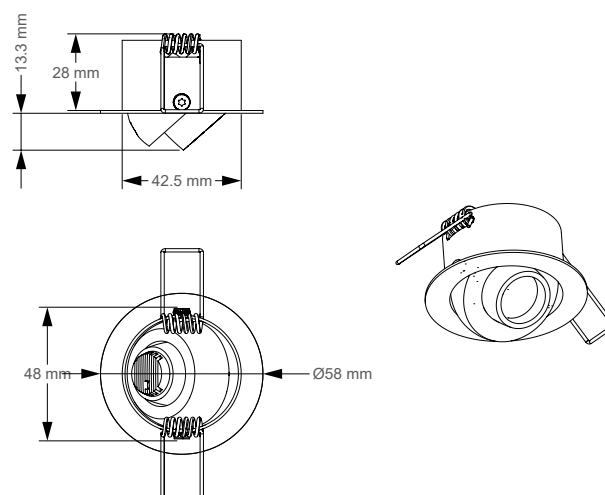
Operated by external LED driver, max 700 mA / 2W, Vf = 3V

2700K		GIZ27-CCDLA-2	Gizmo CC/700mA Downlight Adjustable 2700K, Black	180lm, Vf=3V ,CRI 90, lens N, 1m cable
		GIZ27-CCDLA-3	Gizmo CC/700mA Downlight Adjustable 2700K, White	180lm, Vf=3V ,CRI 90, lens N, 1m cable
3000K		GIZ30-CCDLA-2	Gizmo CC/700mA Downlight Adjustable 3000K, Black	190lm, Vf=3V ,CRI 90, lens N, 1m cable
		GIZ30-CCDLA-3	Gizmo CC/700mA Downlight Adjustable 3000K, White	190lm, Vf=3V ,CRI 90, lens N, 1m cable
4000K		GIZ40-CCDLA-2	Gizmo CC/700mA Downlight Adjustable 4000K, Black	200lm, Vf=3V ,CRI 90, lens N, 1m cable
		GIZ40-CCDLA-3	Gizmo CC/700mA Downlight Adjustable 4000K, White	200lm, Vf=3V ,CRI 90, lens N, 1m cable

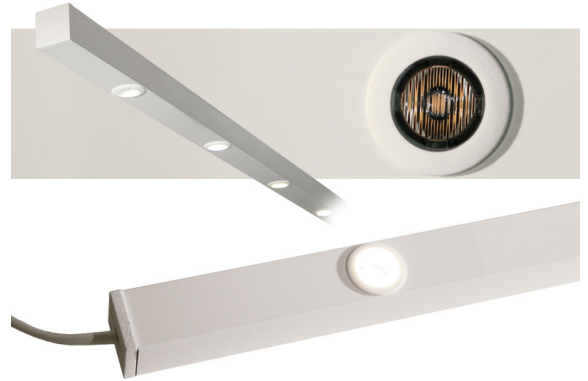
Downlight Fixed:



Downlight Adjustable:



gekko LINEAR



A linear lighting solution

Gekko Linear is a highly customizable fixture.

Gekko is developed using the latest chip technology and integrated lenses.

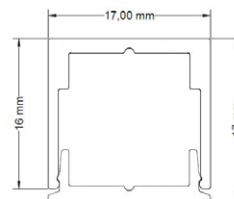
The principle for Gekko Linear is easy - You specify the length, beam angle and color temperature to create a seamless linear luminaire.

The benefits

- Any length
- Any color temperature
- Any beam angle
- Alternative mounting options

Gekko Linear Specification

Material	Extruded aluminum Lens made of polycarbonate
Finish	Grey (RAL 7040) Black (RAL 9005) White (RAL 9016)
Protection class	IP20
Operating voltage	Vf=3V
Current	Max 700 mA
Power consumption	2,1W per module
CRI	90
Color temperature	2200K/2700K/3000K/4000K
Beam angles	Narrow Medium Wide Very Wide Elliptical
Accessories	



GEKKO LINEAR

When ordering Gekko Linear, the following must always be stated.

Length of fixture:	100–3000 mm
Coating of luminaire:	Grey, black, white
Number of LED modules:	1–18 pcs per feed
Number of feeds:	Minimum 1
Lens:	N, M, W, VW, E
Color temperature:	2200, 2700, 3000, 4000, 5700
Cable color	Grey, black, white
Cable length	Minimum 2m
Cable exit:	Gable, upwards, backwards
Classification:	IP20 or IP66

■ GEK-LIN	Gekko Linear Max 3m, IP 20	According to customer specifications
■ GEK-LIN-IP66	Gekko Linear Max 3m, IP 66	According to customer specifications

GEKKO MODULES

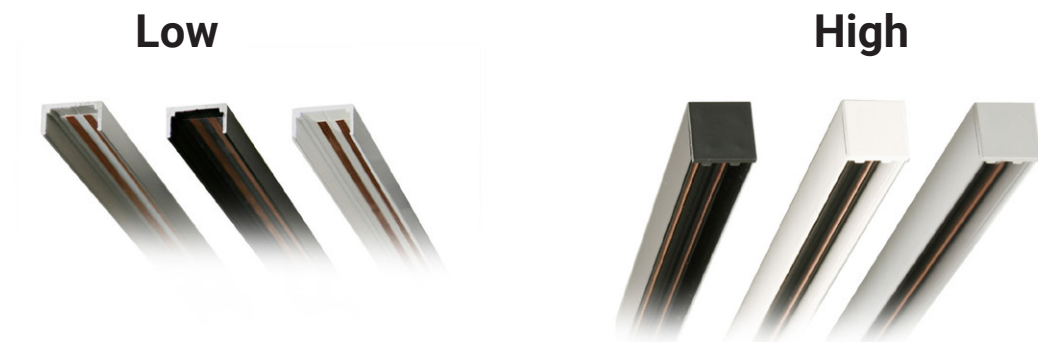
Gekko Linear is fitted with these modules.

2200K	GEK22-N	Gekko LED module 2200K, Lens N	180lm, Vf=3V, 700mA, CRI 90
	GEK22-M	Gekko LED module 2200K, Lens M	180lm, Vf=3V, 700mA, CRI 90
	GEK22-W	Gekko LED module 2200K, Lens W	180lm, Vf=3V, 700mA, CRI 90
	GEK22-VW	Gekko LED module 2200K, Lens VW	180lm, Vf=3V, 700mA, CRI 90
	GEK22-E	Gekko LED module 2200K, Lens E, 48X19	180lm, Vf=3V, 700mA, CRI 90
2700K	GEK27-N	Gekko LED module 2700K, Lens N	180lm, Vf=3V, 700mA, CRI 90
	GEK27-M	Gekko LED module 2700K, Lens M	180lm, Vf=3V, 700mA, CRI 90
	GEK27-W	Gekko LED module 2700K, Lens W	180lm, Vf=3V, 700mA, CRI 90
	GEK27-VW	Gekko LED module 2700K, Lens VW	190lm, Vf=3V, 700mA, CRI 90
	GEK27-E	Gekko LED module 2700K, Lens E, 48X19	190lm, Vf=3V, 700mA, CRI 90
3000K	GEK30-N	Gekko LED module 3000K, Lens N	190lm, Vf=3V, 700mA, CRI 90
	GEK30-M	Gekko LED module 3000K, Lens M	190lm, Vf=3V, 700mA, CRI 90
	GEK30-W	Gekko LED module 3000K, Lens W	190lm, Vf=3V, 700mA, CRI 90
	GEK30-VW	Gekko LED module 3000K, Lens VW	190lm, Vf=3V, 700mA, CRI 90
	GEK30-E	Gekko LED module 3000K, Lens E, 48X19	190lm, Vf=3V, 700mA, CRI 90
4000K	GEK40-N	Gekko LED module 4000K, Lens N	200lm, Vf=3V, 700mA, CRI 90
	GEK40-M	Gekko LED module 4000K, Lens M	200lm, Vf=3V, 700mA, CRI 90
	GEK40-W	Gekko LED module 4000K, Lens W	200lm, Vf=3V, 700mA, CRI 90
	GEK40-VW	Gekko LED module 4000K, Lens VW	200lm, Vf=3V, 700mA, CRI 90
	GEK40-E	Gekko LED module 4000K, Lens E, 48X19	200lm, Vf=3V, 700mA, CRI 90
5700K	GEK57-N	Gekko LED module 5700K, Lens N	210lm, Vf=3V, 700mA, CRI 90
	GEK57-M	Gekko LED module 5700K, Lens M	210lm, Vf=3V, 700mA, CRI 90
	GEK57-W	Gekko LED module 5700K, Lens W	210lm, Vf=3V, 700mA, CRI 90
	GEK57-VW	Gekko LED module 5700K, Lens VW	210lm, Vf=3V, 700mA, CRI 90
	GEK57-E	Gekko LED module 5700K, Lens E, 48X19	210lm, Vf=3V, 700mA, CRI 90



PICO TRAC

Miniature track systems



Pico Trac is one of the smallest lighting tracks in the world. It was originally made for use in museum display cases. When lighting was needed outside the cases, a new, slightly larger track was born - Pico Trac High.

The benefits

- Small physical size
- Seamless end results with included cover
- Local built-in dimmer on all Pico fixtures

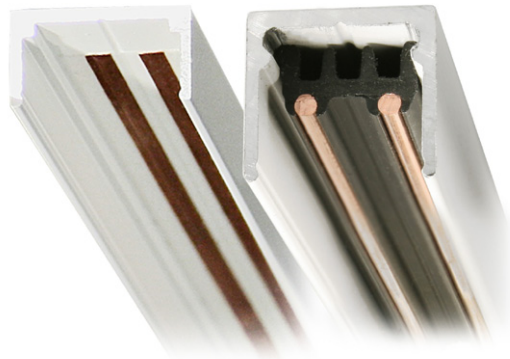


Compatible luminaires list

Article Number	Name	Power
GIM*-PT	Gimmick Pico Trac	2W
GIZ*-PT	Gizmo Pico Trac	3W
GIZZ*-PT	Gizmo Zoom Pico Trac	3W
DIN*-PT	Dinkey Pico Trac	4W
ARTPAR*B-PT	Arty PAR Pico Trac	4W
ARTPAR*C-PT	Arty PAR Pico Trac	8W
ARTPZ*C-PT	Arty Profile Pico Trac	8W
ARTZOOM*C-PT	Arty Zoom Pico Trac	8W

Pico Trac Specification

Material	Extruded aluminium Conductors made of copper
Finish	Grey (RAL 7040) Matte Black (RAL 9005) Matte White (RAL 9016)
Type	One circuit
Dimming	Track is NOT dimmable
Protection class	IP20
Operating voltage	12V DC
Length	200-3000 mm
Mounting	Fastening clip



LV Rating

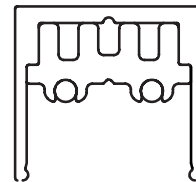
Pico Trac Low	12V DC Max 5A
Pico Trac High	12V DC Max 10A



Low



High



Cover



Accessories



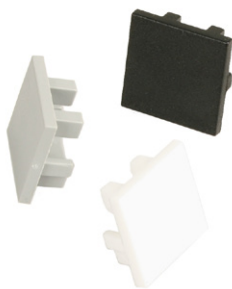
Power Feed



Straight Joiner
Joins two tracks



Pico Stick
Tool for removal
of Fixtures



End Cap High



End Cap Low



Mounting Clips

TRACK SYSTEM PICO TRAC



PICO TRAC low

12V DC max 5A
Cover and clips included

<input type="checkbox"/>	PTL-1	Pico Trac Low 12V, Grey	10*17 mm, Max 3000 mm.
<input checked="" type="checkbox"/>	PTL-2	Pico Trac Low 12V, Black	10*17 mm, Max 3000 mm
<input type="checkbox"/>	PTL-3	Pico Trac Low 12V, White	10*17 mm, Max 3000 mm
<input checked="" type="checkbox"/>	PT-41-1	End Cap, Low, Grey	Adds 2 mm
<input checked="" type="checkbox"/>	PT-41-2	End Cap, Low, Black	Adds 2 mm
<input type="checkbox"/>	PT-41-3	End Cap, Low, White	Adds 2 mm



PICO TRAC high

12V DC max 10A
Cover and clips included

<input checked="" type="checkbox"/>	PTL-1	Pico Trac Low 12V, Grey	17*17 mm, Max 3000 mm
<input checked="" type="checkbox"/>	PTL-2	Pico Trac Low 12V, Black	17*17 mm, Max 3000 mm
<input type="checkbox"/>	PTL-3	Pico Trac Low 12V, White	17*17 mm, Max 3000 mm
<input checked="" type="checkbox"/>	GIZ-A512B-1	End Cap, High, Grey	Adds 2 mm
<input checked="" type="checkbox"/>	GIZ-A512B-2	End Cap, High, Black	Adds 2 mm
<input type="checkbox"/>	GIZ-A512B-3	End Cap, High, White	Adds 2 mm

PICO TRAC accessories

<input checked="" type="checkbox"/>	PT-11-1	Pico Trac Power Feed, Grey	12V DC, max 10A	50 mm
<input checked="" type="checkbox"/>	PT-11-2	Pico Trac Power Feed, Black	12V DC, max 10A	50 mm
<input type="checkbox"/>	PT-11-3	Pico Trac Power Feed, White	12V DC, max 10A	50 mm
	PT-11	Pico Trac Power Feed, PCB	PCB only	38 mm
<input checked="" type="checkbox"/>	PT-14-1	PicoTrac Straight Joiner, Grey	12V DC, max 10A	100 mm
<input checked="" type="checkbox"/>	PT-14-2	PicoTrac Straight Joiner, Black	12V DC, max 10A	100 mm
<input type="checkbox"/>	PT-14-3	PicoTrac Straight Joiner, White	12V DC, max 10A	100 mm
<input checked="" type="checkbox"/>	LFL-12-1	Extra Mounting Clips, Pico Trac Low, Grey	Screw included	
<input checked="" type="checkbox"/>	LFL-12-2	Extra Mounting Clips, Pico Trac Low, Black	Screw included	
<input type="checkbox"/>	LFL-12-3	Extra Mounting Clips, Pico Trac Low, White	Screw included	
<input checked="" type="checkbox"/>	LFH-12-1	Extra Mounting Clips, Pico Trac High, Grey	Screw included	
<input checked="" type="checkbox"/>	LFH-12-2	Extra Mounting Clips, Pico Trac High, Black	Screw included	
<input type="checkbox"/>	LFH-12-3	Extra Mounting Clips, Pico Trac High, White	Screw included	
	PT-STICK	Pico Stick, Tool for easy removal of fixtures		

POWER SUPPLY FOR PICO TRAC

Short-circuit and over temperature protected

SNP15-12VL	Power Supply, 12V 15W, 1,25A	123 x 44 x 20 mm (LxWxH)
SNP30-12VF	Power Supply, 12V 30W, 2,5A	160 x 58 x 18 mm (LxWxH)
SNP75-12VL-E	Power Supply, 12V 70W, 5,83A	170 x 45 x 29 mm (LxWxH)
SNP100-12VL	Power Supply, 12V 100W, 8,3A	180 x 59 x 32 mm (LxWxH)
SNP150-12VL	Power Supply, 12V 132W, 11,0A	180 x 59 x 32 mm (LxWxH)
SKX-2	Power Cord 2x0,75, Black	2m, Europlug
SKX-3	Power Cord 2x0,75, White	2m, Europlug

CONNECTION CABLES FOR PICO TRAC

H03VV-F-2	Cable SKK, Round, Black	2x0,75
H03VV-F-3	Cable SKK, Round, White	2x0,75
SKX075-2	Cable SKX, Oval, Black	2x0,75
SKX075-3	Cable SKX, Oval, White	2x0,75
EP065-1	Elcuflex FM, Grey	2x0,65
EP065-2	Elcuflex FM, Black	2x0,65

mini trac

Low voltage lighting track



Mini Trac is a sturdy and a well-known 12V track system in the world of lighting. Its circular design and wide selection of accessories makes it an easy choice for flexible lighting.

The benefits

- East to cut / join to desired length
- Easy to install with pre-drilled holes and mounting accessories
- Local built-in dimmer on all Mini Trac fixtures



Track and caps



Joiners



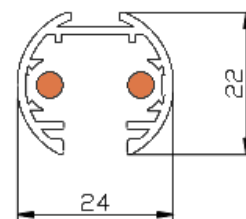
Wire kit

Compatible luminaires list

Article Number	Name	Power
DIN*-MT	Dinkey Mini Trac	4W
ARTPAR*-MT	Arty PAR Mini Trac	4W
ARTPAR*C-MT	Arty PAR Mini Trac	8W
ARTPZ*C-MT	Arty Profile Mini Trac	8W
ARTZOOM*C-MT	Arty Zoom Mini Trac	8W

Mini Trac Specification

Material	Extruded aluminium, Conductors made of 4mm ² copper
Finish	Grey Black White
Type	One circuit 12V DC max. 20A
Dimming	Track is NOT dimmable
Protection class	IP20
Operating voltage	12V DC
Length	2m
Mounting	Ceiling or suspended with wire

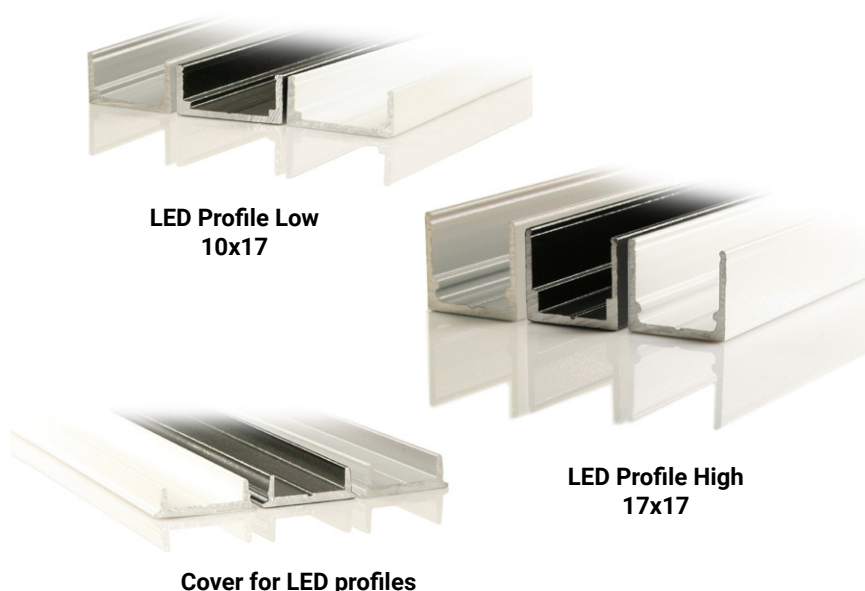


MINI TRAC
12V DC max 20A
End caps included

<input type="checkbox"/>	DMT12-1	MT Lighting Track 2m, Grey	Max 20A
<input type="checkbox"/>	DMT12-2	MT Lighting Track 2m, Black	Max 20A
<input type="checkbox"/>	DMT12-3	MT Lighting Track 2m, White	Max 20A
<input type="checkbox"/>	DMT14-1	MT End Feed, Grey	Max 20A
<input type="checkbox"/>	DMT14-2	MT End Feed, Black	Max 20A
<input type="checkbox"/>	DMT14-3	MT End Feed, White	Max 20A
<input type="checkbox"/>	DMT15-1	MT End Cap, Grey	
<input type="checkbox"/>	DMT15-2	MT End Cap, Black	
<input type="checkbox"/>	DMT15-3	MT End Cap, White	
<input type="checkbox"/>	DMT16-1	MT Straight Joiner, Grey	
<input type="checkbox"/>	DMT16-2	MT Straight Joiner, Black	
<input type="checkbox"/>	DMT16-3	MT Straight Joiner, White	
<input type="checkbox"/>	DMT17-1	MT L-Joiner, Grey	
<input type="checkbox"/>	DMT17-2	MT L-Joiner, Black	
<input type="checkbox"/>	DMT17-3	MT L-Joiner, White	
<input type="checkbox"/>	DMT81-1	MT Wall Mounting-kit, Grey	
<input type="checkbox"/>	DMT81-2	MT Wall Mounting-kit, Black	
<input type="checkbox"/>	DMT81-3	MT Wall Mounting-kit, White	
<input type="checkbox"/>	DMT82-1	MT Wire-kit, Grey	
<input type="checkbox"/>	DMT82-2	MT Wire-kit, Black	
<input type="checkbox"/>	DMT82-3	MT Wire-kit, White	
<input type="checkbox"/>	DMT91-1	MT Track Adapter, Grey	
<input type="checkbox"/>	DMT91-2	MT Track Adapter, Black	
<input type="checkbox"/>	DMT91-3	MT Track Adapter, White	

LED Profiles

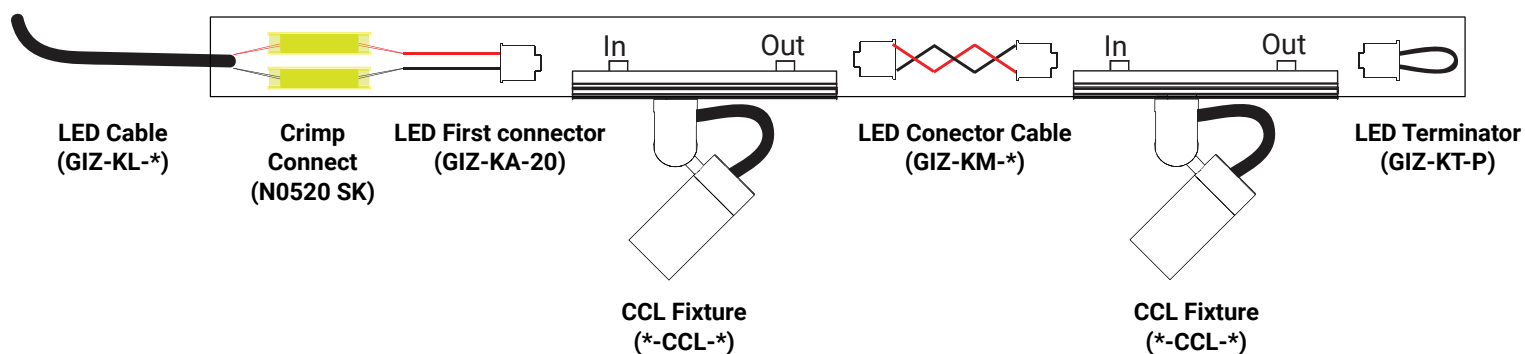
For lighting installations



LED Profiles is a series of aluminum profiles available in grey, black and white.

Fits all luminaires from the CCL (Constant Current LED profile) range.
The luminaires are linked with connector cables inside the profiles.

Example installation:



The benefits

- Fits many different luminaires
- LED-drivers with various functions can be used (e.g. to create dynamic lighting)
- Possibility to route multiple control channels inside the LED Profile
- Use the optional cover to create elegant and seamless installations

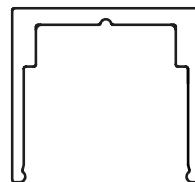
LED Profiles Specification

Material	Extruded aluminium
Finish	Grey (RAL 7040) Matte Black (RAL 9005) Matte White (RAL 9016)
Length	Up to 3000 mm
Mounting	Fastening clip, screw

Low



High



Cover



Compatible luminaires list

Article Number	Name	Power
GIM*-CCL	Gimmick CC/350mA LED-profile	1W
GIZ*-CCL	Gizmo CC/700mA LED-profile	2W
GIZZ*-CCL	Gizmo Zoom CC/700mA LED-profile	2W
DIN*-CCL	Dinkey CC/1050mA LED-profile	3W
DIN*B-CCL	Dinkey CC/500mA LED-profile	6W
ARTPAR*-CCL	Arty PAR CC/1200mA LED-profile	4W
ARTPAR*B-CCL	Arty PAR CC/500mA LED-profile	6W
ARTPZ*B-CCL	Arty Profile CC/500mA LED-profile	6W
ARTZOOM*B-CCL	Arty Zoom CC/500mA LED-profile	6W

LED PROFILES



LED PROFILE low

Sold pre-cut according to customer's dimensions
Shortest length is 20 cm, the longest is 3 meters

<input type="checkbox"/>	LPL-1	LED Profile Low, Grey	10*17 mm, max 3m
<input type="checkbox"/>	LPL-2	LED Profile Low, Black	10*17 mm, max 3m
<input type="checkbox"/>	LPL-3	LED Profile Low, White	10*17 mm, max 3m
<input type="checkbox"/>	PT-41-1	End Cap LED Profile, Low, Grey	
<input type="checkbox"/>	PT-41-2	End Cap LED Profile, Low, Black	
<input type="checkbox"/>	PT-41-3	End Cap LED Profile, Low, White	
<input type="checkbox"/>	LFL-12-1	Mounting Clips, LED Profile Low, Grey	Screw included
<input type="checkbox"/>	LFL-12-2	Mounting Clips, LED Profile Low, Black	Screw included
<input type="checkbox"/>	LFL-12-3	Mounting Clips, LED Profile Low, White	Screw included



LED PROFILE high

Sold pre-cut according to customer's dimensions
Shortest length is 20 cm, the longest is 3 meters

<input type="checkbox"/>	LPH-1	LED Profile High, Grey	17*17 mm, max 3m
<input type="checkbox"/>	LPH-2	LED Profile High, Black	17*17 mm, max 3m
<input type="checkbox"/>	LPH-3	LED Profile High, White	17*17 mm, max 3m
<input type="checkbox"/>	GIZ-A512B-1	End Cap LED Profile, High, Grey	
<input type="checkbox"/>	GIZ-A512B-2	End Cap LED Profile, High, Black	
<input type="checkbox"/>	GIZ-A512B-3	End Cap LED Profile, High, White	
<input type="checkbox"/>	LFH-12-1	Mounting Clips, LED Profile High, Grey	Screw included
<input type="checkbox"/>	LFH-12-2	Mounting Clips, LED Profile High, Black	Screw included
<input type="checkbox"/>	LFH-12-3	Mounting Clips, LED Profile High, White	Screw included



LED PROFILE cover

Fits LED-profile High and Low

<input type="checkbox"/>	LPC-1	Cover for LED Profile Low/High, Grey	16*3 mm, max 3m.
<input type="checkbox"/>	LPC-2	Cover for LED Profile Low/High, Black	16*3 mm, max 3m.
<input type="checkbox"/>	LPC-3	Cover for LED Profile Low/High, White	16*3 mm, max 3m.



CONNECTOR CABLES

Connector cables are used to link CCL-fixtures.

The last fixture in the line needs a LED Terminator to short the circuit.

GIZ-KM-5	LED Connector Cable 50mm	Plug Female/Female
GIZ-KM-10	LED Connector Cable 100mm	Plug Female/Female
GIZ-KM-15	LED Connector Cable 150mm	Plug Female/Female
GIZ-KM-25	LED Connector Cable 250mm	Plug Female/Female
GIZ-KM-35	LED Connector Cable 350mm	Plug Female/Female
GIZ-KM-65	LED Connector Cable 650mm	Plug Female/Female
GIZ-KM-105	LED Connector Cable 1050mm	Plug Female/Female
GIZ-KS-100	LED Extension Cable 1000mm	Plug Male/Female
GIZ-KA-20	LED First connector 200mm	Plug Female
GIZ-KT-P	LED Terminator	Plug



LED DISTRIBUTOR

Distribution blocks for CCL/CCS fixtures

Unused slots needs to be filled with a LED Terminator

GIZ-B3	LED 3-Distributor	1 in 3 out
GIZ-B6	LED 6-Distributor	1 in 6 out



LED CABLE

Made for Constant current LED installations

GIZ-KL-1	LED-Cable, Grey	Ø2,9mm 2*0,14, Zero Halogen / meter
GIZ-KL-2	LED-Cable, Black	Ø2,9mm 2*0,14, Zero Halogen / meter
GIZ-KL-3	LED-Cable, White	Ø2,9mm 2*0,14, Zero Halogen / meter



CRIMP CONNECT

Using crimp is a great way of splicing wires

N0520 SK	Isolated butt splice, Yellow	20mm, 0.14-0.50mm ²
DSA 0115	Hand crimp tool for N0520 SK	For insulated terminals
SCT00	Abico SCT00	Wire Stripper

About Ljusdesign

Ljusdesign have office and production facility in the city of Gävle, Sweden.

Here we have in-house production across the full range of different lighting luminaires. Since we have all the hardware in-house, we have no problem to adjust, modify and produce what the specific project needs.

With over 30 years of real life experience, in the service of museums, churches and other cultural institutions, we are used to handle most lighting tasks. Feel free to contact us for product advice.

Ljusdesign AB
Södra Skeppsbron 4
802 80 Gävle
SWEDEN

+46 26 66 15 00
info@ljusdesign.se
www.ljusdesign.se



Ljusdesign

Australian dealer

designcase

8 Tralee Street
Hume ACT 2620
AUSTRALIA
02 6290 4900
designcase.info@designcase.net.au
www.designcase.net.au

Exclusive international dealers



Specialist Lighting Distributors

Australia
New Zealand

info@sld.net.au
www.sld.net.au

GOBO

Gobo

Denmark
Germany
Belgium
The Netherlands
Luxembourg

lind@gobo.dk
www.gobo.dk

fusion

AV and lighting specialists

Fusion LX

United Kingdom
Ireland

ian@fusionlx.co.uk
www.fusionlx.co.uk